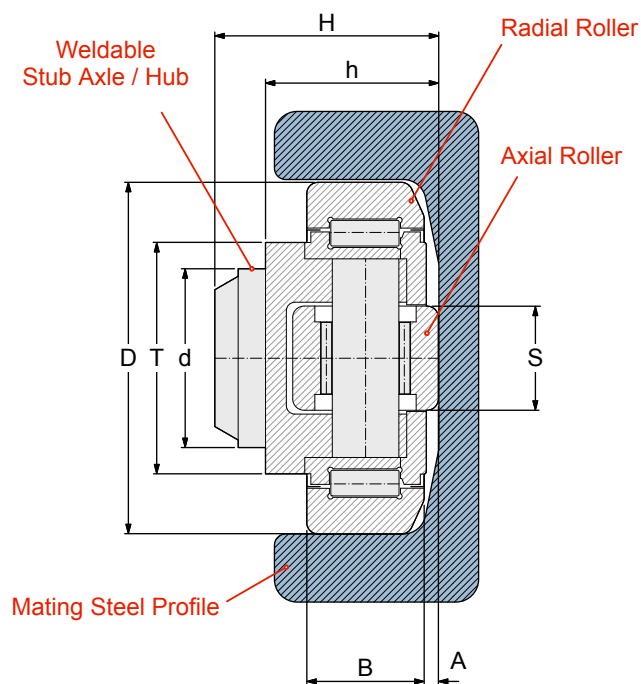


**STANDARD
CR BEARINGS**



Our standard Combined Roller bearing consists of a hub, a radial bearing and an axial roller

| BEARING REFERENCE | Dimensions (mm) | | | | | | | | | C kN | C ₀ kN | C _a kN | C _{0a} kN | I.D. of radial bearing | PROFILE REF | PLATE REF |
|----------------------|-----------------|-----|----|------|------|----|-----|----|---|---------|----------------------|----------------------|-----------------------|---------------------------|----------------|--------------|
| | D | T | d | H | h | B | A | S | r | | | | | | | |
| 4.053 | 52.5 | 40 | 30 | 33 | 27 | 17 | 2 | 15 | 2 | 24 | 32 | 7 | 7 | 28 | EC053 | PL 00 |
| 4.054 | 62 | 42 | 30 | 37.5 | 30.5 | 20 | 2.5 | 20 | 3 | 31 | 35.5 | 11.1 | 11.5 | 38 | 2890 | PL 0 |
| 4.055 | 70.1 | 48 | 35 | 44 | 36 | 23 | 2.5 | 22 | 4 | 45.5 | 51 | 14 | 13 | 42 | 2867 or 3018 | PL 1 |
| 4.056 | 77.7 | 54 | 40 | 48 | 36.5 | 23 | 3 | 24 | 4 | 48 | 56.8 | 18 | 18 | 46 | 2810 | PL 2 |
| 4.057 | 77.7 | 53 | 40 | 40 | 29 | 23 | 3 | 24 | 4 | 48 | 56.8 | 18 | 18 | 46 | 3019 | |
| 4.058 | 88.4 | 59 | 45 | 57 | 44 | 30 | 3.5 | 26 | 3 | 68 | 72 | 23 | 23 | 50 | 2811 or 3020 | PL 3 |
| 4.059 | 101.2 | 67 | 50 | 46 | 33 | 28 | 3 | 30 | 3 | 73 | 82 | 25 | 27 | 58 | 2912 | |
| 4.060 | 107.7 | 71 | 55 | 54 | 40 | 31 | 3 | 34 | 5 | 81 | 95 | 31 | 36 | 63 | 3100 | |
| 4.061 | 107.7 | 71 | 60 | 69 | 55 | 31 | 3 | 34 | 5 | 81 | 95 | 31 | 36 | 63 | 2862 | PL 4 |
| 4.062 | 123 | 80 | 60 | 72.3 | 56 | 37 | 5 | 40 | 5 | 110 | 132 | 43 | 50 | 71 | 2891 or 3353 | PL 4 |
| 4.063 | 149 | 103 | 60 | 78.5 | 58.5 | 45 | 5.5 | 50 | 3 | 151 | 192 | 68 | 71 | 90 | 2757 | PL 6 |

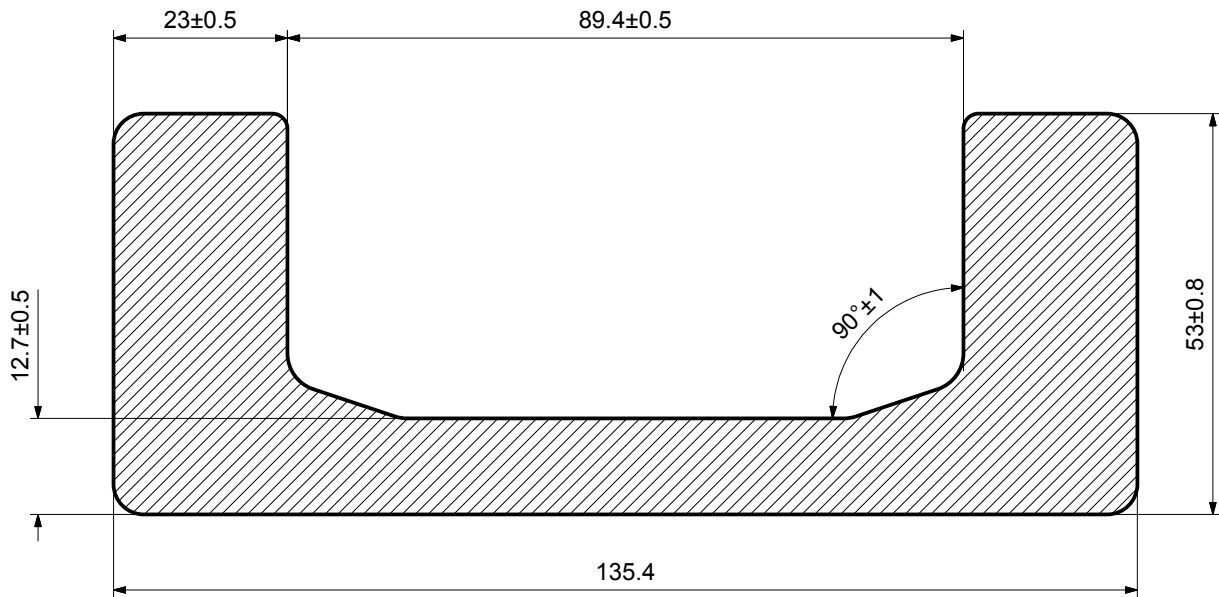
C = Dynamic Load Capacity for radial roller
 C₀ = Static Load Capacity for radial roller
 C_a = Dynamic Load Capacity for axial (side) roller
 C_{0a} = Static Load Capacity for axial roller

See page 36 for information on how to select the correct size of bearing and mating steel channel.

Notes
 4.053 and 4.054 bearings do not have grease holes.
 All bearings are pre-greased.

STANDARD CHANNEL

2811



| Profile Reference | Web Height mm | Flange Width mm | Channel Height mm | Weight kg / metre | Bearing Reference | Plate Reference | Section Shape |
|-------------------|---------------|-----------------|-------------------|-------------------|-------------------|-----------------|---------------|
| 2811 | 135.4 | 53 | 89.4 | 28.6 | 4.058 | PLATE 3 | C Section |

PROFILE REFERENCE: **2811**

Weight: 28.6kg per metre

Moment of Area (Wx): 127.8cm³

Material: S450J2

Use with our:

4.058 Standard Combined Roller Bearing

4.458 Eccentric Adjustable CR Bearing

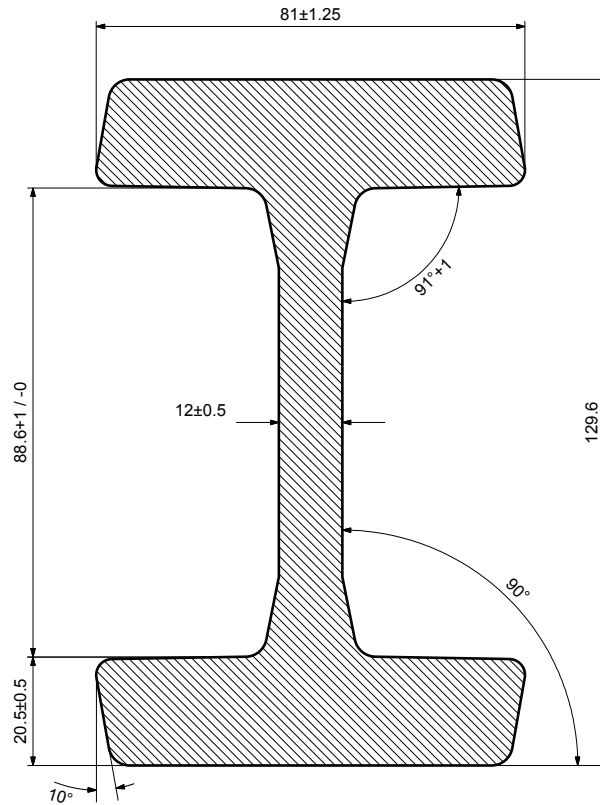
Other suitable bearings:

4.076 Shim Adjustable CR Bearing

2.2088 Radial Roller Bearing

STANDARD CHANNEL

3020



| Profile Reference | Web Height mm | Flange Width mm | Channel Height mm | Weight kg / metre | Bearing Reference | Plate Reference | Section Shape |
|-------------------|---------------|-----------------|-------------------|-------------------|-------------------|-----------------|---------------|
| 3020 | 129.6 | 81 | 88.6 | 34 | 4.058 | PLATE 3 | I Section |

PROFILE REFERENCE: **3020**

Weight: 34.1kg per metre

Moment of Area (Wx): 160cm³

Material: S450J2

Use with our:

4.058 Standard Combined Roller Bearing

4.458 Eccentric Adjustable CR Bearing

NOTE: THIS DRAWING IS NOT TO SCALE

MOUNTING PLATE

PL3

THICKNESS: 20mm

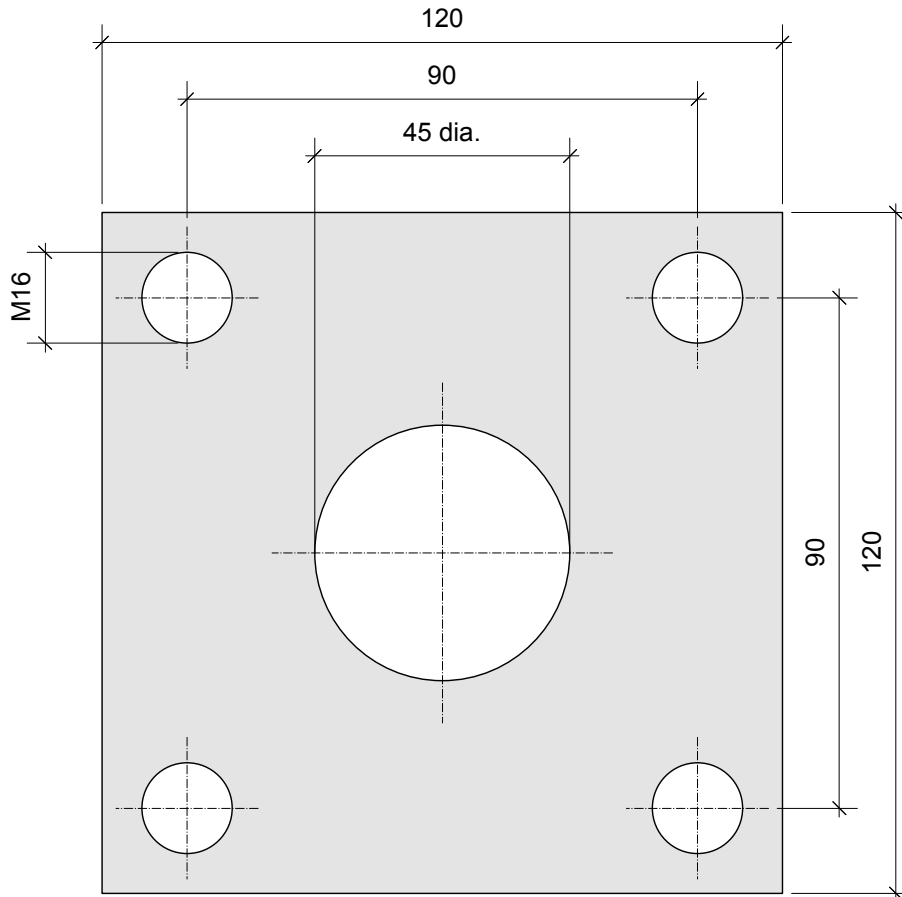


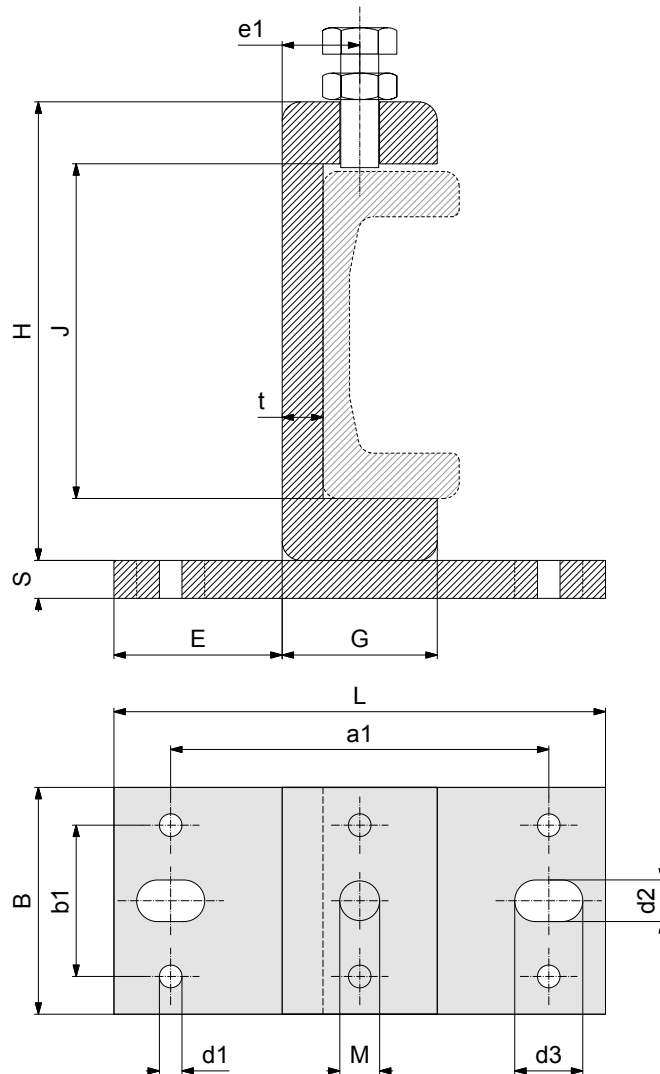
PLATE REFERENCE: PL3

WELD TO BEARING: 4.058 or 4.458

USE WITH

STEEL CHANNEL: 2811

FLANGED CLAMPS FOR STANDARD CHANNEL



| CLAMP REFERENCE | FOR PROFILE REFERENCE | Dimensions (mm) | | | | | | | | | | | | | | Weight (kg) | |
|-----------------|-----------------------|-----------------|----|-----|----|-------|------|------|------|-----|----|----|----|----|------|-------------|------|
| | | H | B | L | S | J | E | G | t | a1 | b1 | d1 | d2 | d3 | e1 | M | |
| CF0 | 2890 | 121.3 | 60 | 130 | 10 | 88.5 | 44.5 | 41.0 | 10.8 | 100 | 40 | 6 | 11 | 18 | 20.5 | M10x30 | 1.62 |
| CF1 | 2867 | 135.4 | 60 | 130 | 10 | 105.0 | 38.5 | 53.0 | 12.7 | 100 | 40 | 6 | 11 | 18 | 26.5 | M10x30 | 1.95 |
| CF2 | 2810 | 157.2 | 80 | 160 | 15 | 123.0 | 49.5 | 61.2 | 14.0 | 130 | 60 | 6 | 13 | 18 | 30.6 | M12x35 | 3.70 |
| CF3 | 2811 | 175 | 80 | 160 | 15 | 137.5 | 46.9 | 66.2 | 16.2 | 130 | 60 | 6 | 13 | 18 | 33.1 | M12x35 | 4.20 |
| CF4 | 2862 | 201.5 | 80 | 160 | 15 | 159.0 | 44.4 | 71.2 | 19.4 | 130 | 60 | 6 | 13 | 18 | 35.6 | M12x35 | 5.05 |