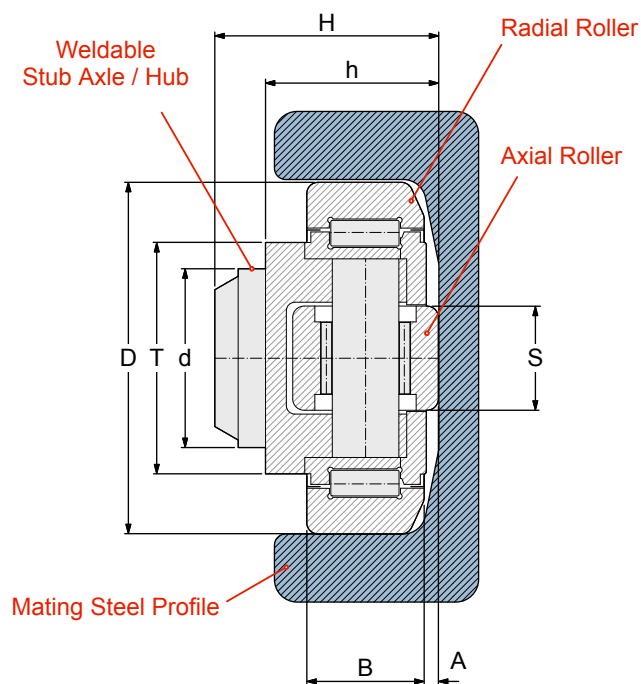


**STANDARD
CR BEARINGS**



Our standard Combined Roller bearing consists of a hub, a radial bearing and an axial roller

BEARING REFERENCE	Dimensions (mm)									C kN	C ₀ kN	C _a kN	C _{0a} kN	I.D. of radial bearing	PROFILE REF	PLATE REF
	D	T	d	H	h	B	A	S	r							
4.053	52.5	40	30	33	27	17	2	15	2	24	32	7	7	28	EC053	PL 00
4.054	62	42	30	37.5	30.5	20	2.5	20	3	31	35.5	11.1	11.5	38	2890	PL 0
4.055	70.1	48	35	44	36	23	2.5	22	4	45.5	51	14	13	42	2867 or 3018	PL 1
4.056	77.7	54	40	48	36.5	23	3	24	4	48	56.8	18	18	46	2810	PL 2
4.057	77.7	53	40	40	29	23	3	24	4	48	56.8	18	18	46	3019	
4.058	88.4	59	45	57	44	30	3.5	26	3	68	72	23	23	50	2811 or 3020	PL 3
4.059	101.2	67	50	46	33	28	3	30	3	73	82	25	27	58	2912	
4.060	107.7	71	55	54	40	31	3	34	5	81	95	31	36	63	3100	
4.061	107.7	71	60	69	55	31	3	34	5	81	95	31	36	63	2862	PL 4
4.062	123	80	60	72.3	56	37	5	40	5	110	132	43	50	71	2891 or 3353	PL 4
4.063	149	103	60	78.5	58.5	45	5.5	50	3	151	192	68	71	90	2757	PL 6

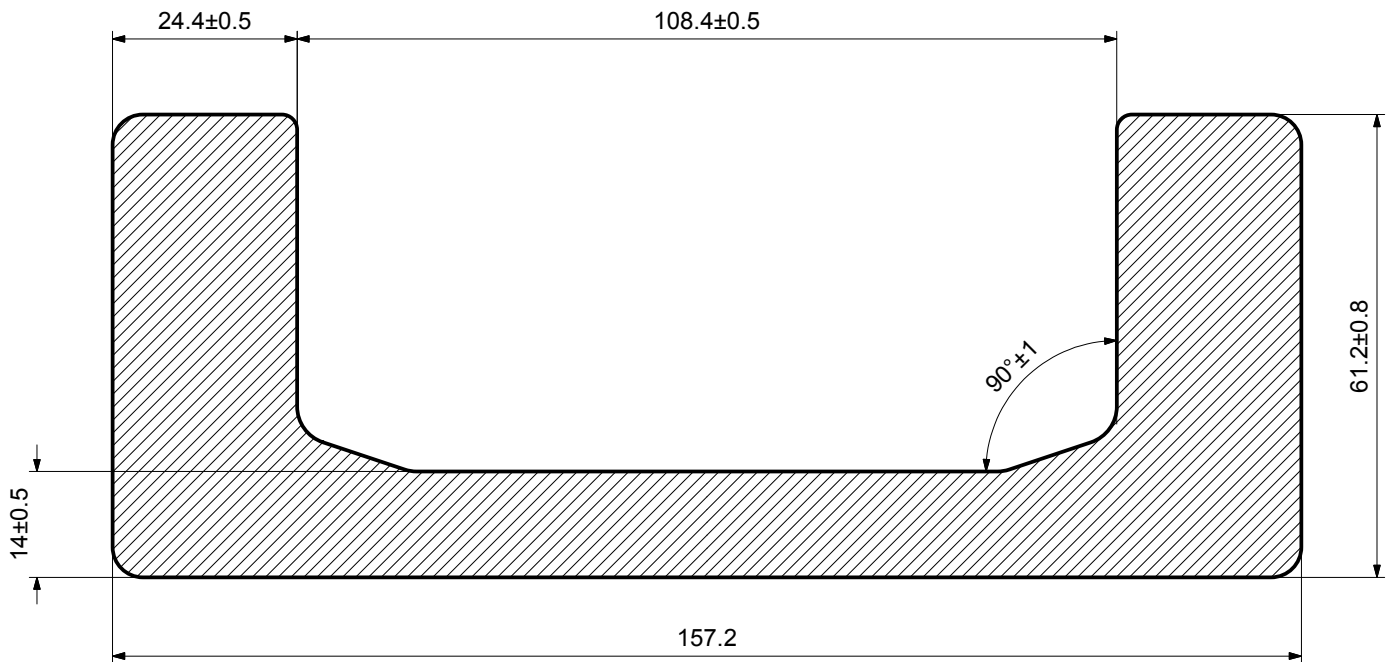
C = Dynamic Load Capacity for radial roller
 C₀ = Static Load Capacity for radial roller
 C_a = Dynamic Load Capacity for axial (side) roller
 C_{0a} = Static Load Capacity for axial roller

See page 36 for information on how to select the correct size of bearing and mating steel channel.

Notes
 4.053 and 4.054 bearings do not have grease holes.
 All bearings are pre-greased.

STANDARD CHANNEL

2862



Profile Reference	Web Height mm	Flange Width mm	Channel Height mm	Weight kg / metre	Bearing Reference	Plate Reference	Section Shape
2862	157.2	61.2	108.4	36	4.061	PLATE 4	C Section

PROFILE REFERENCE: **2862**

Weight: 36.0kg per metre

Moment of Area (Wx): 190.1cm³

Material: S450J2

Use with our:

4.061 Standard Combined Roller Bearing

4.461 Eccentric Adjustable CR Bearing

Other suitable bearings:

2.2107 Radial Roller Bearing

NOTE: THIS DRAWING IS NOT TO SCALE

MOUNTING PLATE

PL4

THICKNESS: 20mm

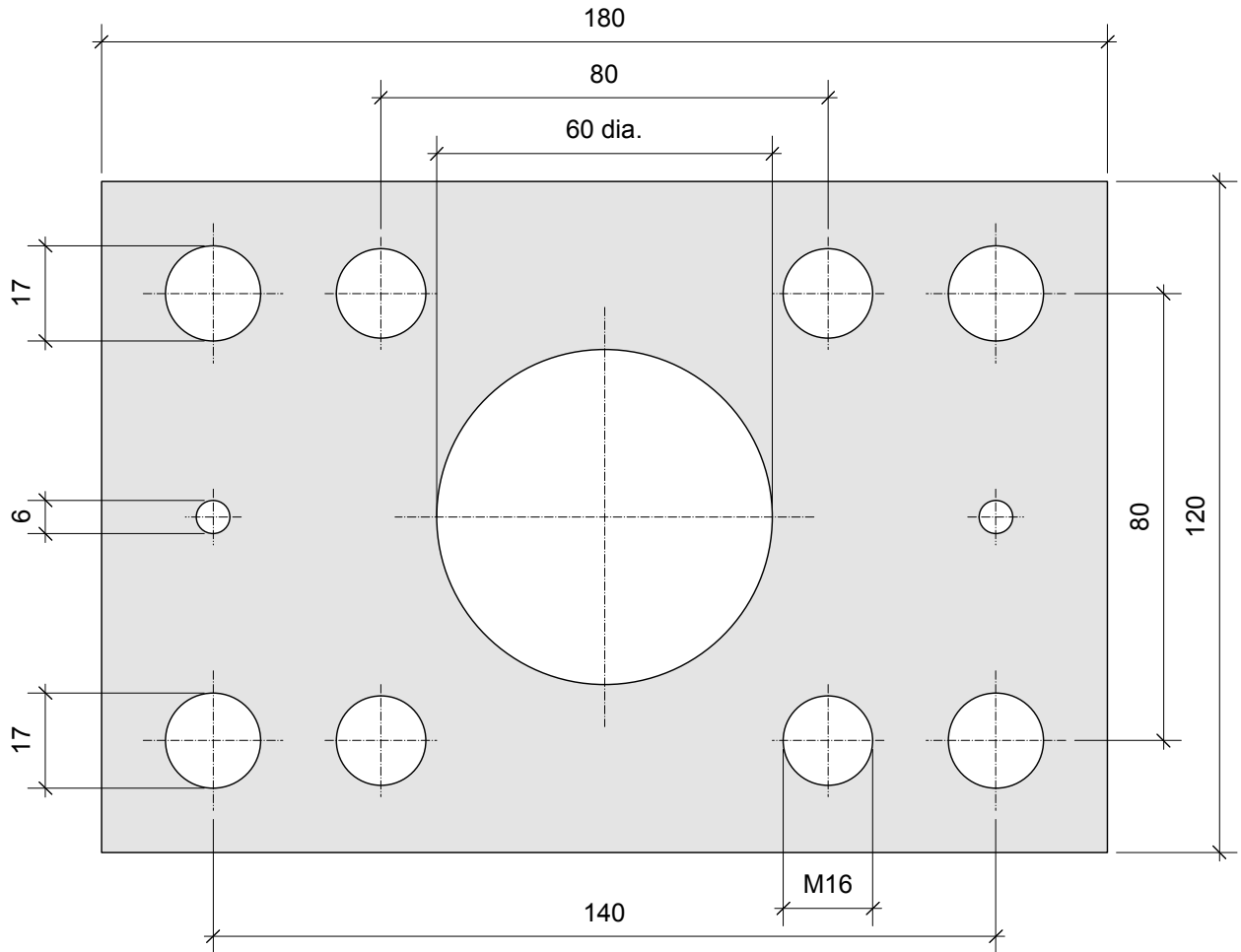


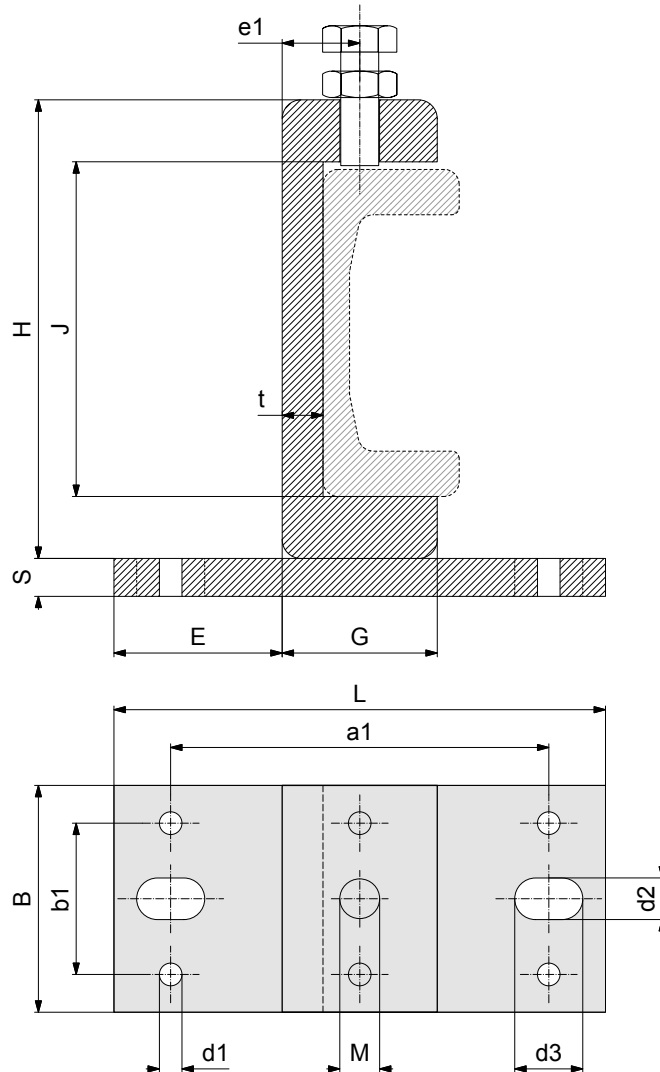
PLATE REFERENCE: PL4

WELD TO BEARING: 4.061 or 4.461

USE WITH

STEEL CHANNEL: 2862

FLANGED CLAMPS FOR STANDARD CHANNEL



CLAMP REFERENCE	FOR PROFILE REFERENCE	Dimensions (mm)														Weight (kg)	
		H	B	L	S	J	E	G	t	a1	b1	d1	d2	d3	e1	M	
CF0	2890	121.3	60	130	10	88.5	44.5	41.0	10.8	100	40	6	11	18	20.5	M10x30	1.62
CF1	2867	135.4	60	130	10	105.0	38.5	53.0	12.7	100	40	6	11	18	26.5	M10x30	1.95
CF2	2810	157.2	80	160	15	123.0	49.5	61.2	14.0	130	60	6	13	18	30.6	M12x35	3.70
CF3	2811	175	80	160	15	137.5	46.9	66.2	16.2	130	60	6	13	18	33.1	M12x35	4.20
CF4	2862	201.5	80	160	15	159.0	44.4	71.2	19.4	130	60	6	13	18	35.6	M12x35	5.05