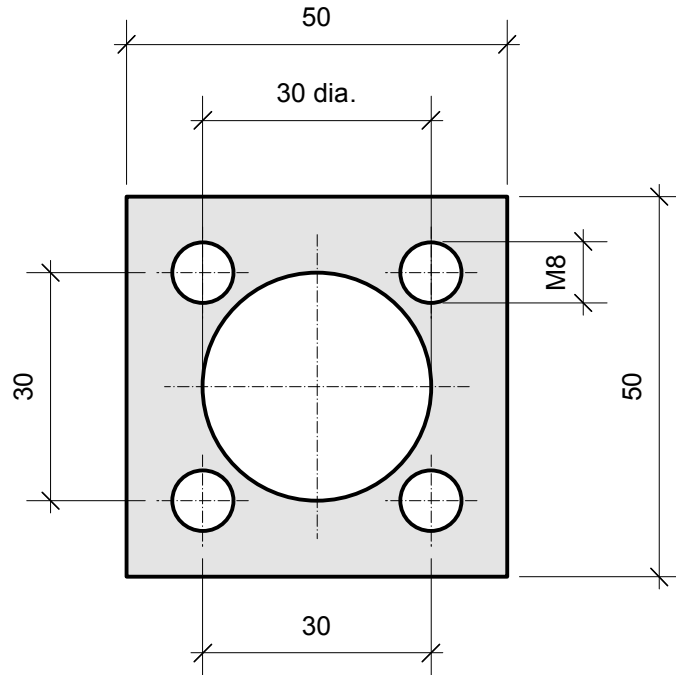


NOTE: THIS DRAWING IS NOT TO SCALE

**SQUARE MOUNTING PLATE**

**PL00 SQ**

**THICKNESS: 10mm**



**PLATE REFERENCE: PL00 SQ**

**WELD TO BEARING: 4.053**

**USE WITH**

**STEEL CHANNEL: EC053**