

NOTE: THIS DRAWING IS NOT TO SCALE

SQUARE MOUNTING PLATE

PL1 SQ

THICKNESS: 15mm

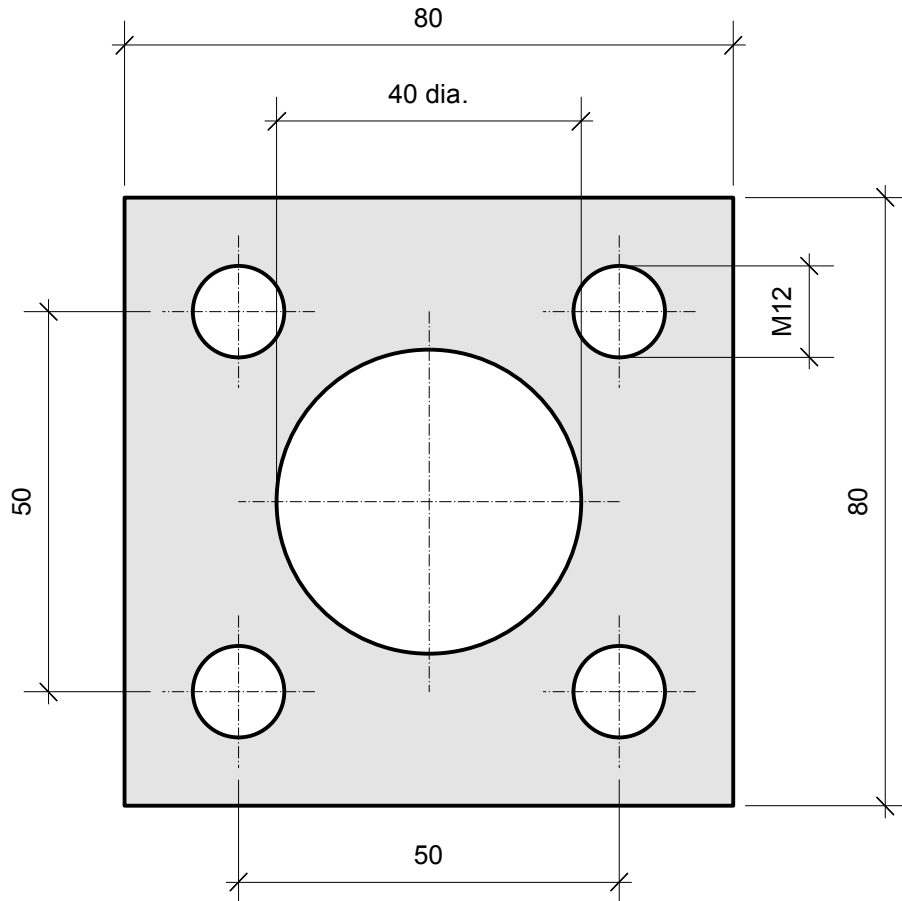


PLATE REFERENCE: PL1 SQ

WELD TO BEARING: 4.055 or 4.455 or 4.073 or 2.2070

USE WITH

STEEL CHANNEL: 2867