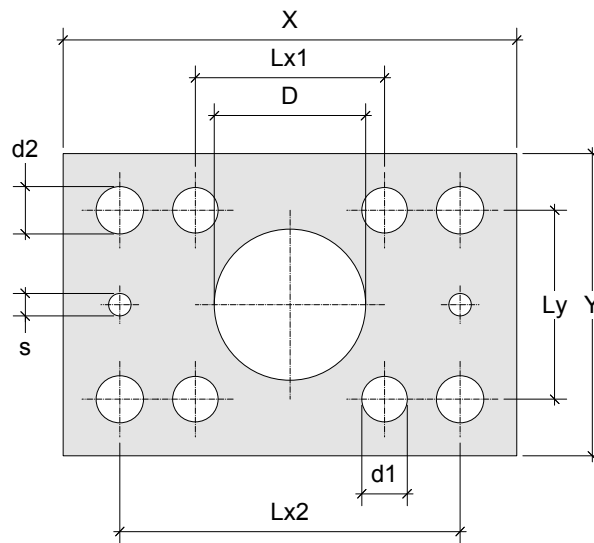


MOUNTING PLATES
Overview

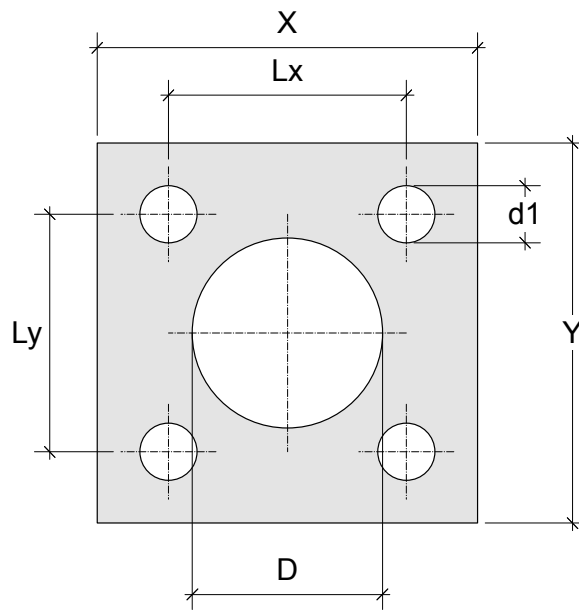


Z = Thickness

Plate Reference	For Bearing	Dimensions (mm)									
		X	Y	Z	Lx1	Lx2	Ly	d1	d2	D	s
PL00	4.053	90	50	10	40	70	30	M8	8.5	30	6
PL0	4.054	100	60	10	40	80	40	M10	10.5	30	6
PL1	4.055	120	80	15	50	90	50	M12	12.5	35	6
PL2	4.056	120	80	15	50	90	50	M12	12.5	40	6
PL3	4.058	120	120	20	90	-	90	M16	-	45	-
PL4	4.061 & 4.062	180	120	20	80	140	80	M16	17	60	6
PL6	4.063	200	150	20	100	160	100	M16	17	60	6

**PLATES CAN BE SUPPLIED
INDIVIDUALLY
OR
WELDED TO A BEARING**

SQUARE MOUNTING PLATES
Overview



Z = Thickness

Plate Reference	For Bearing	Dimensions (mm)						
		X	Y	Z	Lx	Ly	d1	D
PL00 SQ	4.053	50	50	10	30	30	M8	30
PL0 SQ	4.054	60	60	10	40	40	M10	30
PL1 SQ	4.055	80	80	15	50	50	M12	35
PL2 SQ	4.056	80	80	15	50	50	M12	40
PL4 SQ	4.061 & 4.062	120	120	20	80	80	M16	60
PL6 SQ	4.063	150	150	20	100	100	M16	60

**PLATES CAN BE SUPPLIED
INDIVIDUALLY
OR
WELDED TO A BEARING**