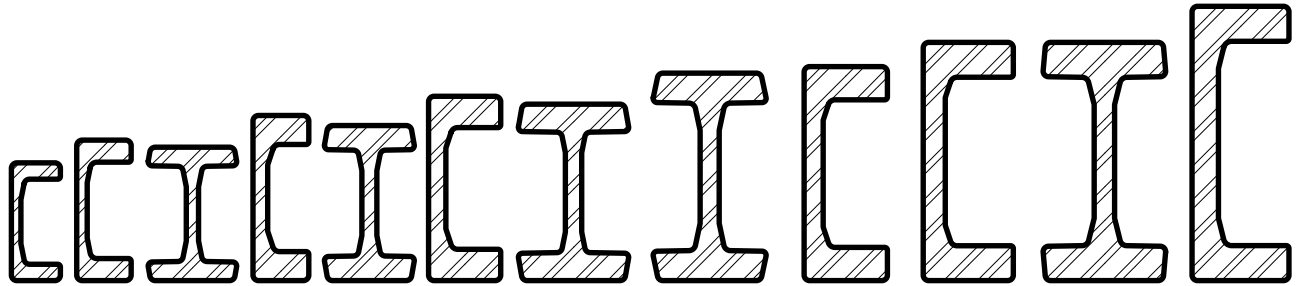


**STANDARD CHANNEL**  
Overview

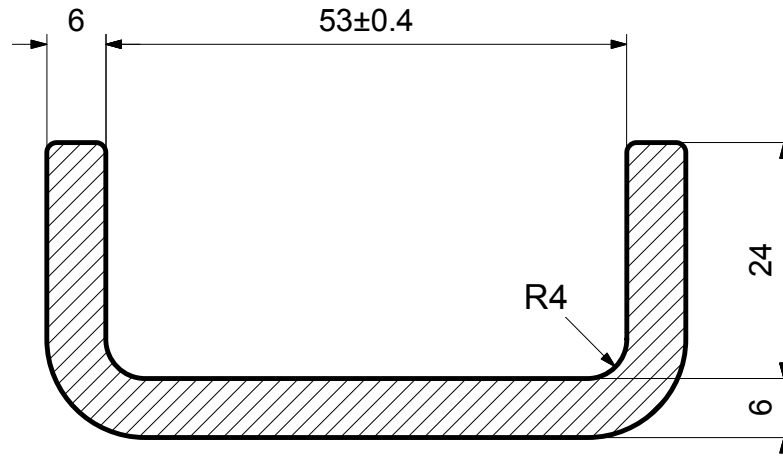
| Profile Reference | Web Height mm | Flange Width mm | Channel Height mm | Weight kg / metre | Bearing Reference | Plate Reference | Section Shape |
|-------------------|---------------|-----------------|-------------------|-------------------|-------------------|-----------------|---------------|
| EC053             | 65            | 30              | 53                | 5.2               | 4.053             | PLATE 00        | C Section     |
| 2890              | 86.5          | 36              | 62.5              | 10.5              | 4.054             | PLATE 0         | C Section     |
| 2867              | 103.2         | 40              | 70.8              | 14.8              | 4.055             | PLATE 1         | C Section     |
| 3018              | 98            | 65              | 70                | 19.4              | 4.055             | -               | I Section     |
| 2810              | 121.3         | 41              | 78.7              | 20.9              | 4.056             | PLATE 2         | C Section     |
| 3019              | 113.9         | 66.1            | 77.9              | 25.3              | 4.057             | -               | I Section     |
| 2811              | 135.4         | 53              | 89.4              | 28.6              | 4.058             | PLATE 3         | C Section     |
| 3020              | 129.6         | 81              | 88.6              | 34                | 4.058             | -               | I Section     |
| 2912              | 140.1         | 69.9            | 102               | 31.2              | 4.059             | -               | I Section     |
| 3100              | 152.4         | 83              | 108.4             | 40.8              | 4.060             | -               | I Section     |
| 2862              | 157.2         | 61.2            | 108.4             | 36                | 4.061             | PLATE 4         | C Section     |
| 2891              | 175           | 66.2            | 123.8             | 42.8              | 4.062             | PLATE 4         | C Section     |
| 3353              | 175           | 90              | 123.8             | 51.4              | 4.062             | -               | I Section     |
| 2757              | 201.5         | 71.2            | 150.1             | 52.4              | 4.063             | PLATE 6         | C Section     |

**SEE THE FOLLOWING PAGES FOR DETAILED  
DRAWINGS OF ALL OUR PROFILES**

***CAD files (dwg format) available for  
download from our website.***

## STANDARD CHANNEL

## EC053



| Profile Reference | Web Height mm | Flange Width mm | Channel Height mm | Weight kg / metre | Bearing Reference | Plate Reference | Section Shape |
|-------------------|---------------|-----------------|-------------------|-------------------|-------------------|-----------------|---------------|
| EC053             | 65            | 30              | 53                | 5.2               | 4.053             | PLATE 00        | C Section     |

PROFILE REFERENCE: **EC053**

Weight: 5.2kg per metre

Moment of Area (Wx): 11.6cm<sup>3</sup>

Material: S355J0 (cold rolled)

Use with our:

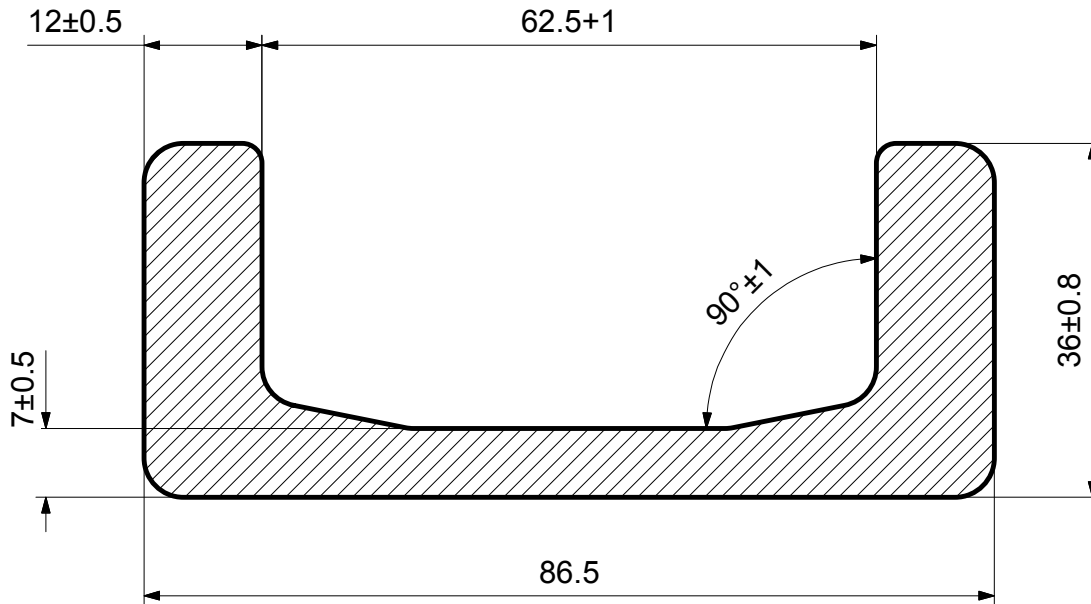
**4.053** Standard Combined Roller Bearing

Other suitable bearings:

**MRS 900** Channel Ball Bearing

## STANDARD CHANNEL

2890



| Profile Reference | Web Height mm | Flange Width mm | Channel Height mm | Weight kg / metre | Bearing Reference | Plate Reference | Section Shape |
|-------------------|---------------|-----------------|-------------------|-------------------|-------------------|-----------------|---------------|
| 2890              | 86.5          | 36              | 62.5              | 10.5              | 4.054             | PLATE 0         | C Section     |

PROFILE REFERENCE: **2890**

Weight: 10.5kg per metre

Moment of Area (Wx): 31.7cm<sup>3</sup>

Material: S450J2

Use with our:

**4.054** Standard Combined Roller Bearing

**4.454** Eccentric Adjustable CR Bearing

Other suitable bearings:

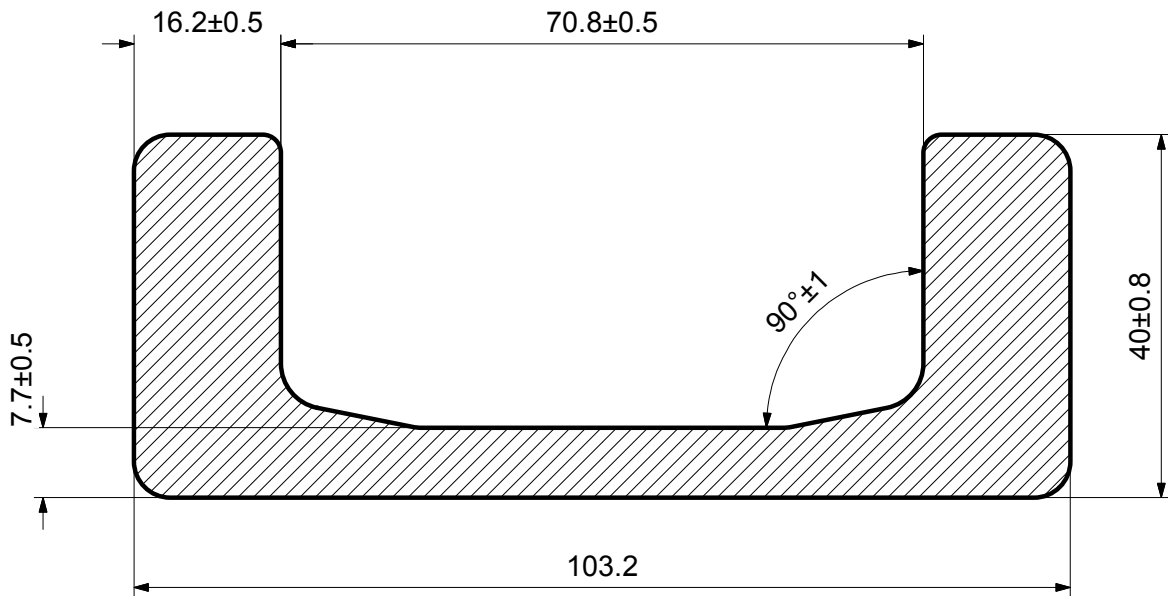
**4.072** Shim Adjustable CR Bearing

**2.2062** Radial Roller Bearing

**MRS 948** Channel Ball Bearing

**STANDARD CHANNEL**

**2867**



| Profile Reference | Web Height mm | Flange Width mm | Channel Height mm | Weight kg / metre | Bearing Reference | Plate Reference | Section Shape |
|-------------------|---------------|-----------------|-------------------|-------------------|-------------------|-----------------|---------------|
| 2867              | 103.2         | 40              | 70.8              | 14.8              | 4.055             | PLATE 1         | C Section     |

PROFILE REFERENCE: **2867**

Weight: 14.8kg per metre

Moment of Area (Wx): 53.0cm<sup>3</sup>

Material: S450J2

Use with our:

**4.055** Standard Combined Roller Bearing

**4.455** Eccentric Adjustable CR Bearing

Other suitable bearings:

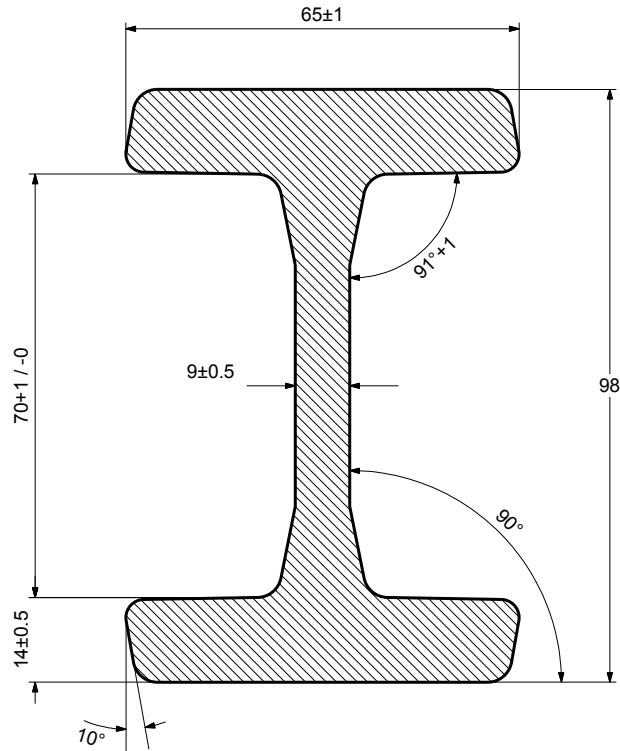
**4.073** Shim Adjustable CR Bearing

**2.2070** Radial Roller Bearing

**MRS 901** Channel Ball Bearing

**STANDARD CHANNEL**

**3018**



| Profile Reference | Web Height mm | Flange Width mm | Channel Height mm | Weight kg / metre | Bearing Reference | Plate Reference | Section Shape |
|-------------------|---------------|-----------------|-------------------|-------------------|-------------------|-----------------|---------------|
| 3018              | 98            | 65              | 70                | 19.4              | 4.055             | PLATE 1         | I Section     |

PROFILE REFERENCE: **3018**

Weight: 19.4kg per metre

Moment of Area (Wx): 70.2cm<sup>3</sup>

Material: S450J2

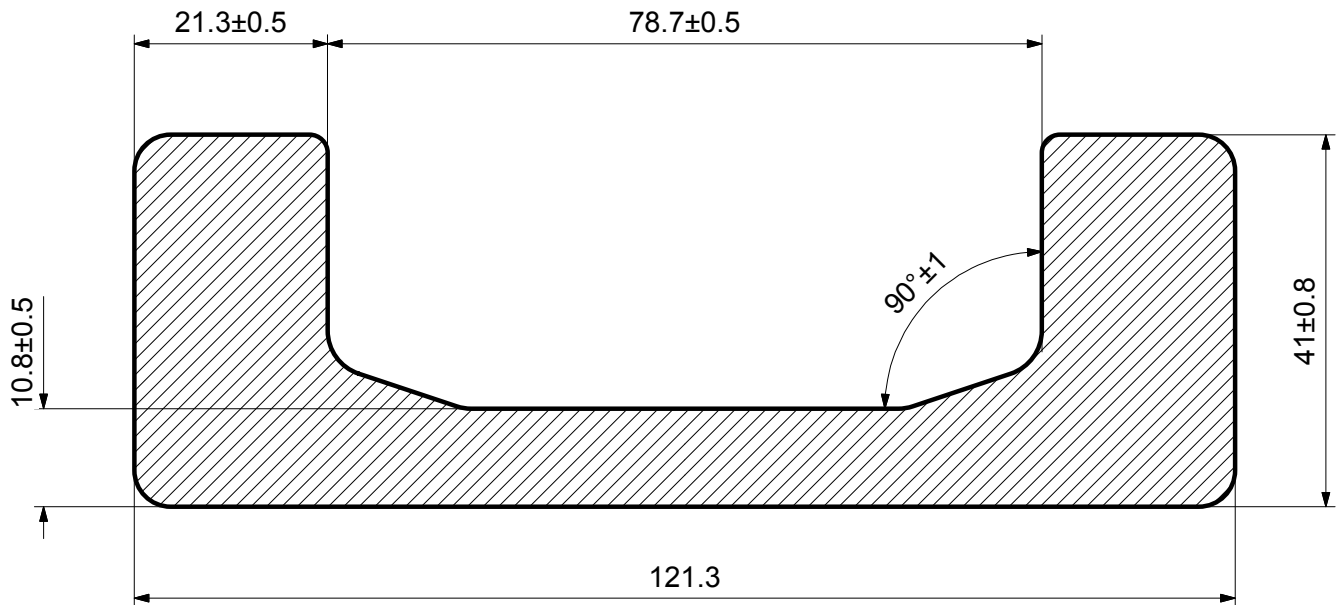
Use with our:

**4.055** Standard Combined Roller Bearing

**4.455** Eccentric Adjustable CR Bearing

**STANDARD CHANNEL**

**2810**



| Profile Reference | Web Height mm | Flange Width mm | Channel Height mm | Weight kg / metre | Bearing Reference | Plate Reference | Section Shape |
|-------------------|---------------|-----------------|-------------------|-------------------|-------------------|-----------------|---------------|
| 2810              | 121.3         | 41              | 78.7              | 20.9              | 4.056             | PLATE 2         | C Section     |

PROFILE REFERENCE: **2810**

Weight: 20.9kg per metre

Moment of Area (Wx): 81.3cm<sup>3</sup>

Material: S450J2

Use with our:

**4.056** Standard Combined Roller Bearing

**4.456** Eccentric Adjustable CR Bearing

Other suitable bearings:

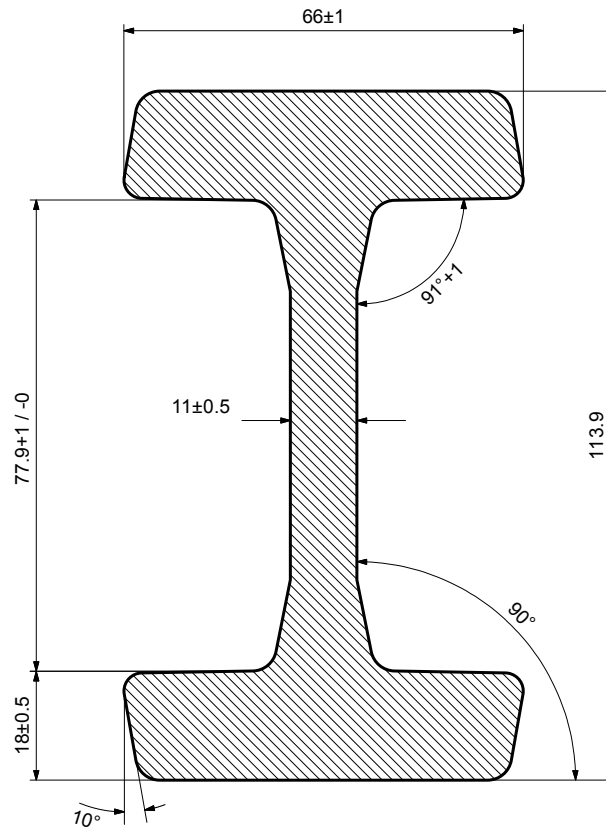
**4.074** Shim Adjustable CR Bearing

**2.2077** Radial Roller Bearing

**MRS 907** Channel Ball Bearing

STANDARD CHANNEL

3019



| Profile Reference | Web Height mm | Flange Width mm | Channel Height mm | Weight kg / metre | Bearing Reference | Plate Reference | Section Shape |
|-------------------|---------------|-----------------|-------------------|-------------------|-------------------|-----------------|---------------|
| 3019              | 113.9         | 66.1            | 77.9              | 25.3              | 4.057             | -               | I Section     |

PROFILE REFERENCE: **3019**

Weight: 25.3kg per metre

Moment of Area (Wx): 101.7cm<sup>3</sup>

Material: S450J2

Use with our:

- 4.057** Standard Combined Roller Bearing
- 4.457** Eccentric Adjustable CR Bearing

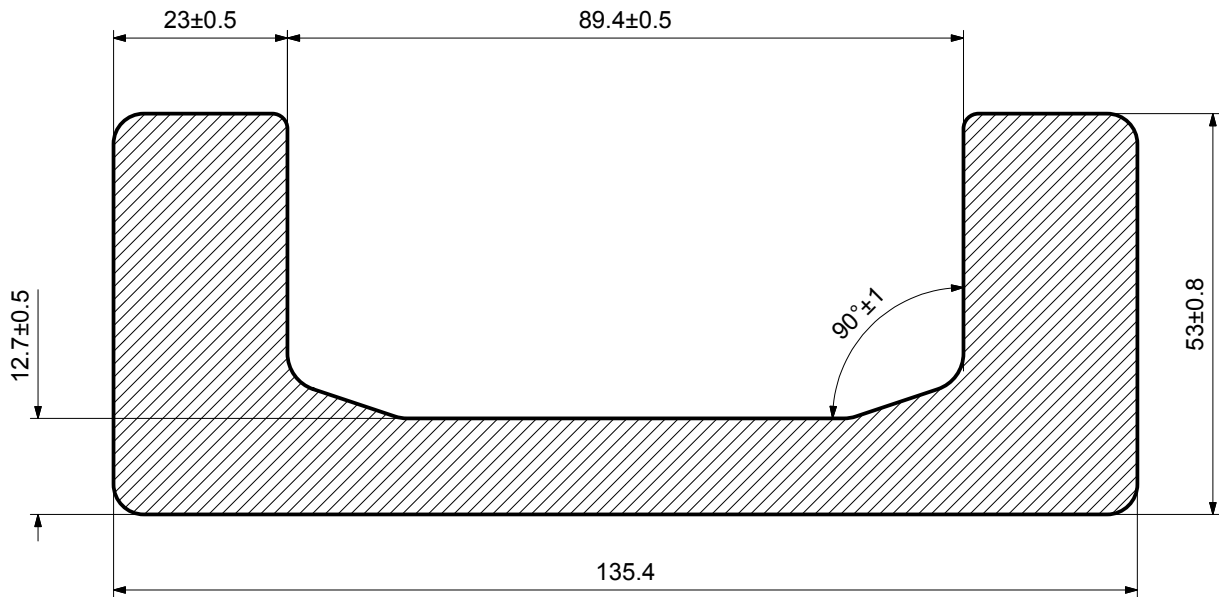
Other suitable bearings:

- 4.075** Shim Adjustable CR Bearing

[www.euro-bearings.com](http://www.euro-bearings.com)

**STANDARD CHANNEL**

**2811**



| Profile Reference | Web Height mm | Flange Width mm | Channel Height mm | Weight kg / metre | Bearing Reference | Plate Reference | Section Shape |
|-------------------|---------------|-----------------|-------------------|-------------------|-------------------|-----------------|---------------|
| 2811              | 135.4         | 53              | 89.4              | 28.6              | 4.058             | PLATE 3         | C Section     |

PROFILE REFERENCE: **2811**

Weight: 28.6kg per metre

Moment of Area (Wx): 127.8cm<sup>3</sup>

Material: S450J2

Use with our:

**4.058** Standard Combined Roller Bearing

**4.458** Eccentric Adjustable CR Bearing

Other suitable bearings:

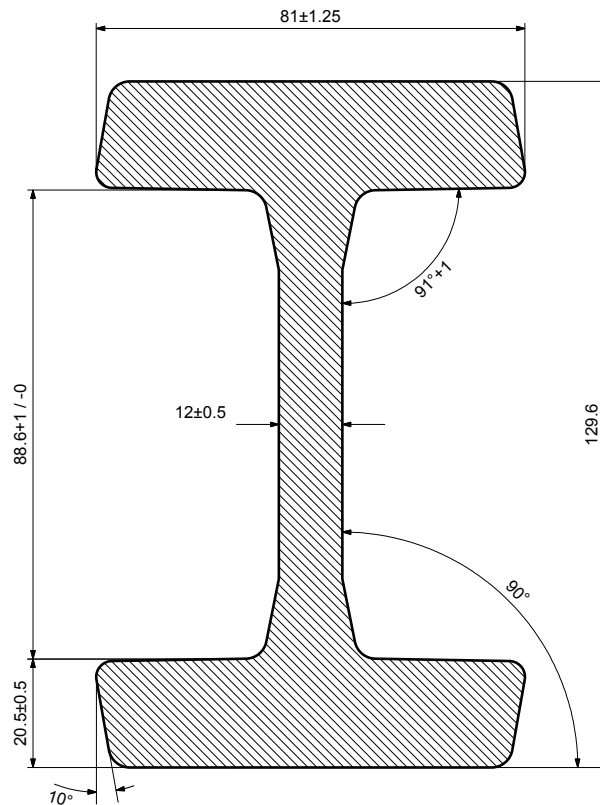
**4.076** Shim Adjustable CR Bearing

**2.2088** Radial Roller Bearing



**STANDARD CHANNEL**

**3020**



| Profile Reference | Web Height mm | Flange Width mm | Channel Height mm | Weight kg / metre | Bearing Reference | Plate Reference | Section Shape |
|-------------------|---------------|-----------------|-------------------|-------------------|-------------------|-----------------|---------------|
| <b>3020</b>       | 129.6         | 81              | 88.6              | 34                | 4.058             | PLATE 3         | I Section     |

PROFILE REFERENCE: **3020**

Weight: 34.1kg per metre

Moment of Area (Wx): 160cm<sup>3</sup>

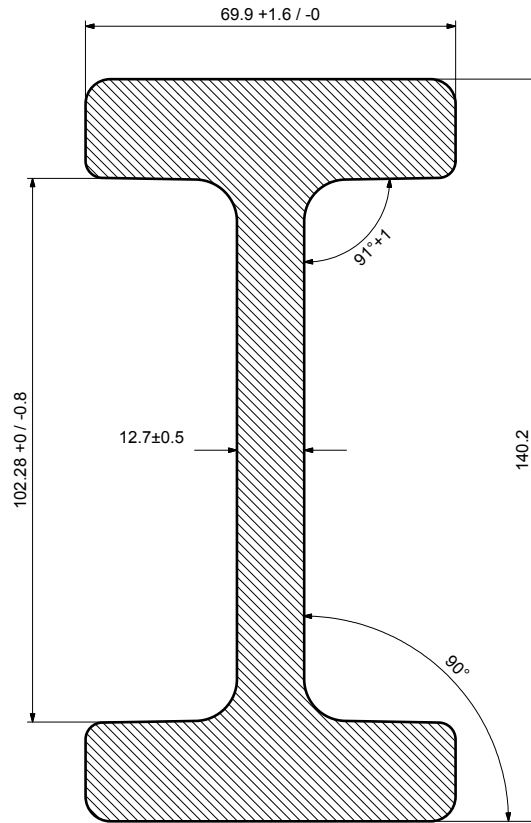
Material: S450J2

Use with our:

- 4.058** Standard Combined Roller Bearing
- 4.458** Eccentric Adjustable CR Bearing

**STANDARD CHANNEL**

**2912**



| Profile Reference | Web Height mm | Flange Width mm | Channel Height mm | Weight kg / metre | Bearing Reference | Plate Reference | Section Shape |
|-------------------|---------------|-----------------|-------------------|-------------------|-------------------|-----------------|---------------|
| <b>2912</b>       | 140.2         | 69.9            | 102.28            | 31.2              | 4.059             | -               | I Section     |

PROFILE REFERENCE: **2912**

Weight: 31.2kg per metre

Moment of Area (Wx): 156cm<sup>3</sup>

Material: S450J2

Use with our:

**4.059** Standard Combined Roller Bearing

**4.459** Eccentric Adjustable CR Bearing

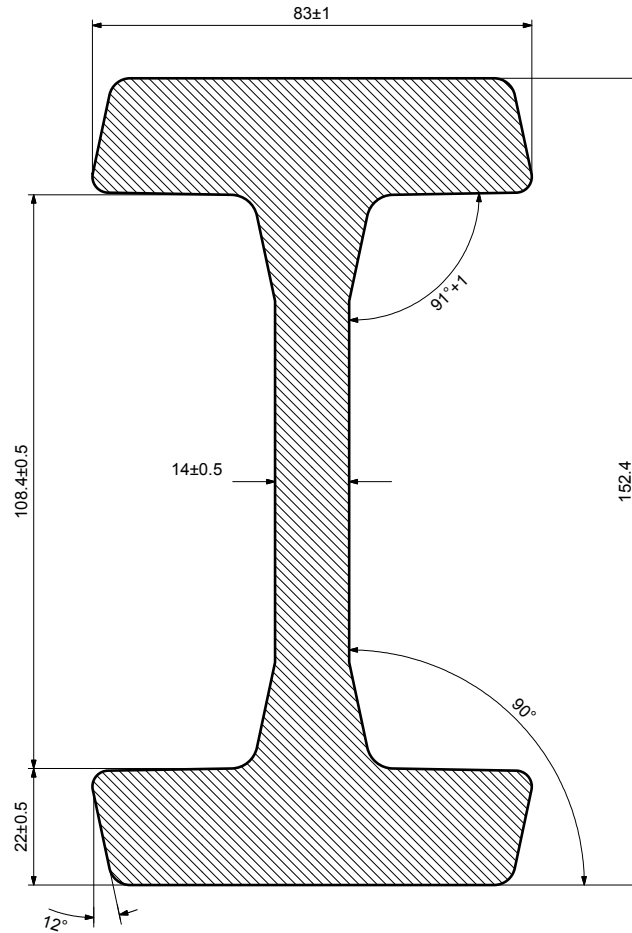
Other suitable bearings:

**4.077** Shim Adjustable CR Bearing

[www.euro-bearings.com](http://www.euro-bearings.com)

**STANDARD CHANNEL**

**3100**



| Profile Reference | Web Height mm | Flange Width mm | Channel Height mm | Weight kg / metre | Bearing Reference | Plate Reference | Section Shape |
|-------------------|---------------|-----------------|-------------------|-------------------|-------------------|-----------------|---------------|
| 3100              | 152.4         | 83              | 108.4             | 40.6              | 4.060             | -               | I Section     |

PROFILE REFERENCE: **3100**

Weight: 40.6kg per metre

Moment of Area (Wx): 219.1cm<sup>3</sup>

Material: S450J2

Use with our:

**4.060** Standard Combined Roller Bearing

**4.460** Eccentric Adjustable CR Bearing

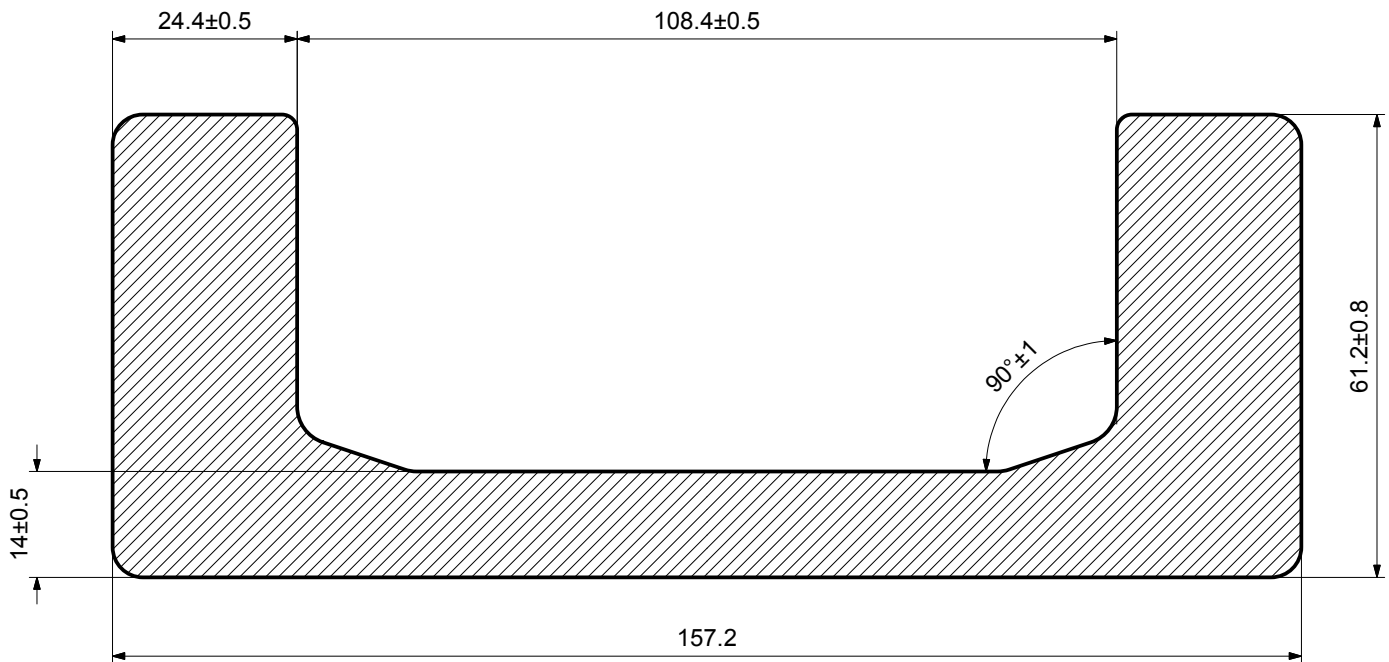
Other suitable bearings:

**4.078** Shim Adjustable CR Bearing

[www.euro-bearings.com](http://www.euro-bearings.com)

**STANDARD CHANNEL**

**2862**



| Profile Reference | Web Height mm | Flange Width mm | Channel Height mm | Weight kg / metre | Bearing Reference | Plate Reference | Section Shape |
|-------------------|---------------|-----------------|-------------------|-------------------|-------------------|-----------------|---------------|
| 2862              | 157.2         | 61.2            | 108.4             | 36                | 4.061             | PLATE 4         | C Section     |

PROFILE REFERENCE: **2862**

Weight: 36.0kg per metre

Moment of Area (Wx): 190.1cm<sup>3</sup>

Material: S450J2

Use with our:

**4.061** Standard Combined Roller Bearing

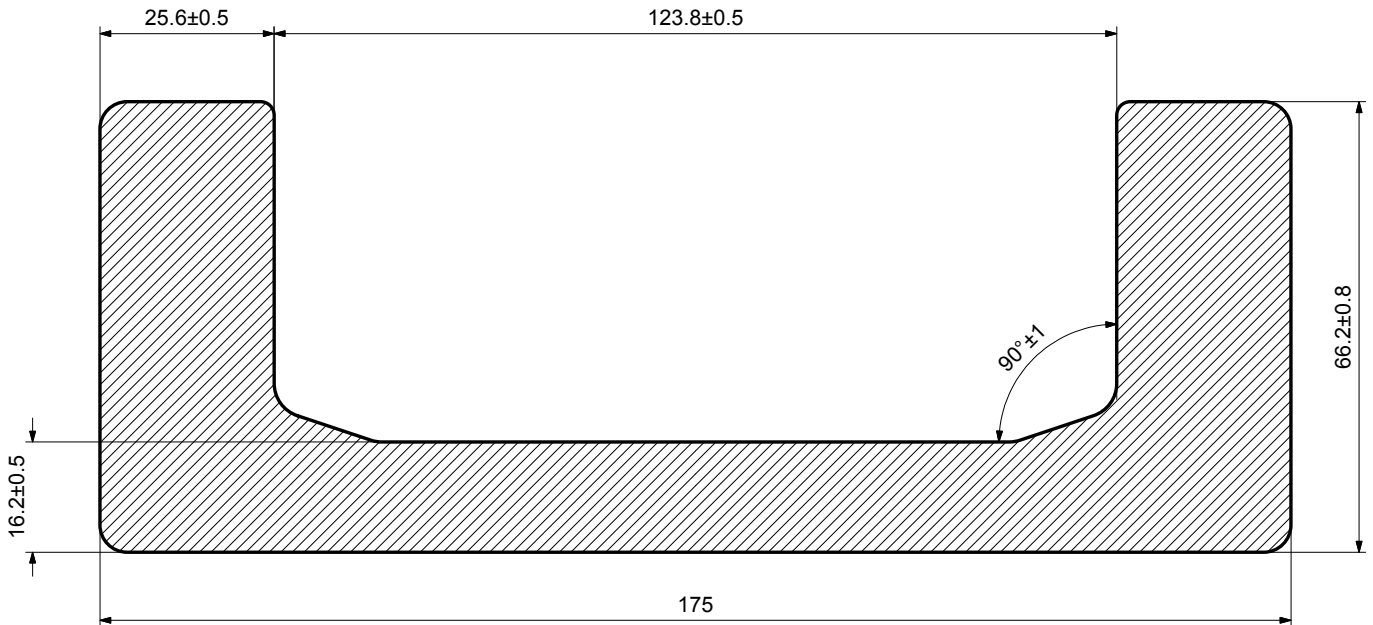
**4.461** Eccentric Adjustable CR Bearing

Other suitable bearings:

**2.2107** Radial Roller Bearing

**STANDARD CHANNEL**

**2891**



| Profile Reference | Web Height mm | Flange Width mm | Channel Height mm | Weight kg / metre | Bearing Reference | Plate Reference | Section Shape |
|-------------------|---------------|-----------------|-------------------|-------------------|-------------------|-----------------|---------------|
| 2891              | 175           | 66.2            | 123.8             | 42.8              | 4.062             | PLATE 4         | C Section     |

PROFILE REFERENCE: **2891**

Weight: 42.8kg per metre

Moment of Area (Wx): 249.7cm<sup>3</sup>

Material: S450J2

Use with our:

**4.062** Standard Combined Roller Bearing

**4.462** Eccentric Adjustable CR Bearing

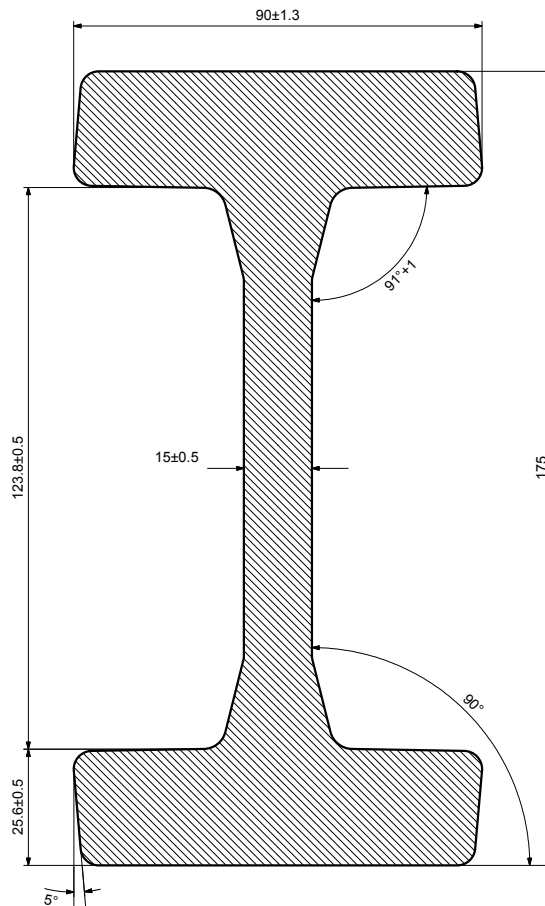
Other suitable bearings:

**2.2123** Radial Roller Bearing

**4.079** Shim Adjustable CR Bearing

STANDARD CHANNEL

3353



| Profile Reference | Web Height mm | Flange Width mm | Channel Height mm | Weight kg / metre | Bearing Reference | Plate Reference | Section Shape |
|-------------------|---------------|-----------------|-------------------|-------------------|-------------------|-----------------|---------------|
| 3353              | 175           | 90              | 123.8             | 51.4              | 4.062             | PLATE 4         | I Section     |

PROFILE REFERENCE: **3353**

Weight: 51.4kg per metre

Moment of Area (Wx): 322cm<sup>3</sup>

Material: S450J2

Use with our:

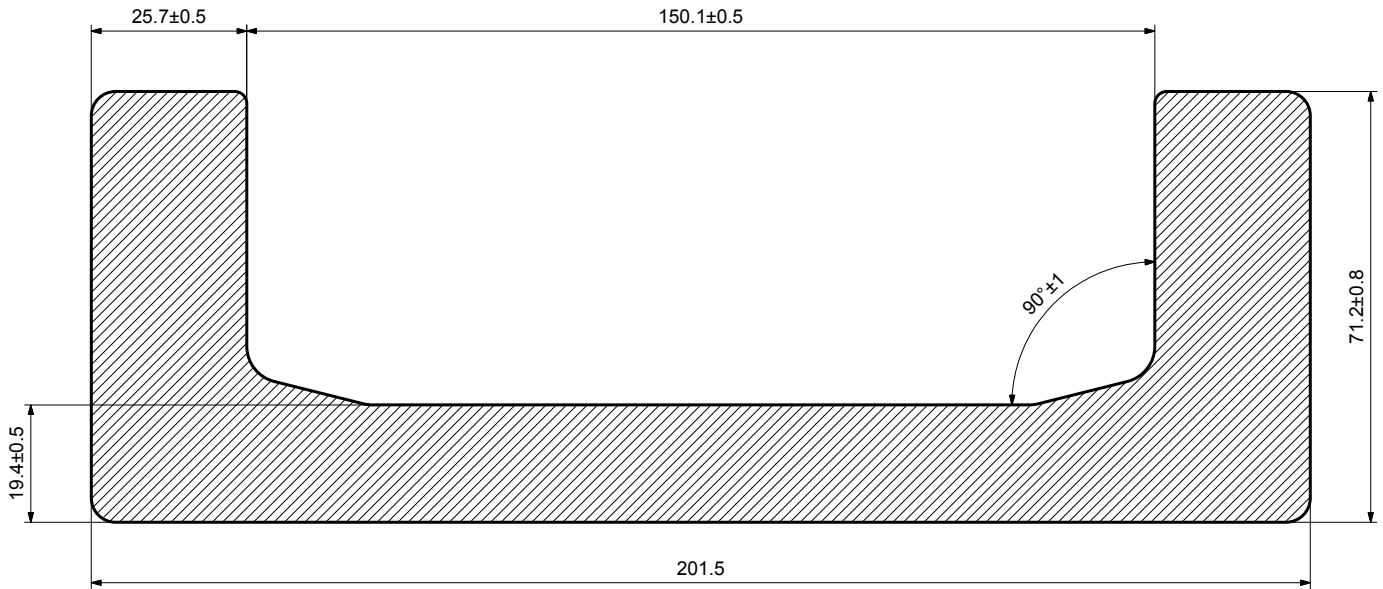
- 4.062 Standard Combined Roller Bearing
- 4.462 Eccentric Adjustable CR Bearing

Other suitable bearings:

- 4.079 Shim Adjustable CR Bearing
- 2.2123 Radial Roller Bearing

**STANDARD CHANNEL**

**2757**



| Profile Reference | Web Height mm | Flange Width mm | Channel Height mm | Weight kg / metre | Bearing Reference | Plate Reference | Section Shape |
|-------------------|---------------|-----------------|-------------------|-------------------|-------------------|-----------------|---------------|
| 2757              | 201.5         | 71.2            | 150.1             | 52.3              | 4.063             | PLATE 6         | C Section     |

PROFILE REFERENCE: **2757**

Weight: 52.3kg per metre

Moment of Area (Wx): 340cm<sup>3</sup>

Material: S450J2

Use with our:

**4.063** Standard Combined Roller Bearing

**4.463** Eccentric Adjustable CR Bearing

Other suitable bearings:

**4.080** Shim Adjustable CR Bearing

**2.2149** Radial Roller Bearing