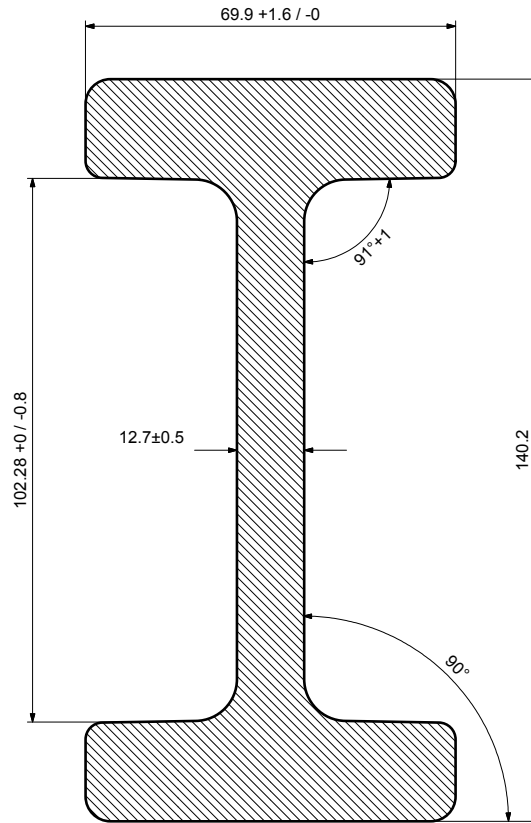


STANDARD CHANNEL

2912



Profile Reference	Web Height mm	Flange Width mm	Channel Height mm	Weight kg / metre	Bearing Reference	Plate Reference	Section Shape
2912	140.2	69.9	102.28	31.2	4.059	-	I Section

PROFILE REFERENCE: **2912**

Weight: 31.2kg per metre

Moment of Area (Wx): 156cm³

Material: S450J2

Use with our:

4.059 Standard Combined Roller Bearing

4.459 Eccentric Adjustable CR Bearing

Other suitable bearings:

4.077 Shim Adjustable CR Bearing

www.euro-bearings.com