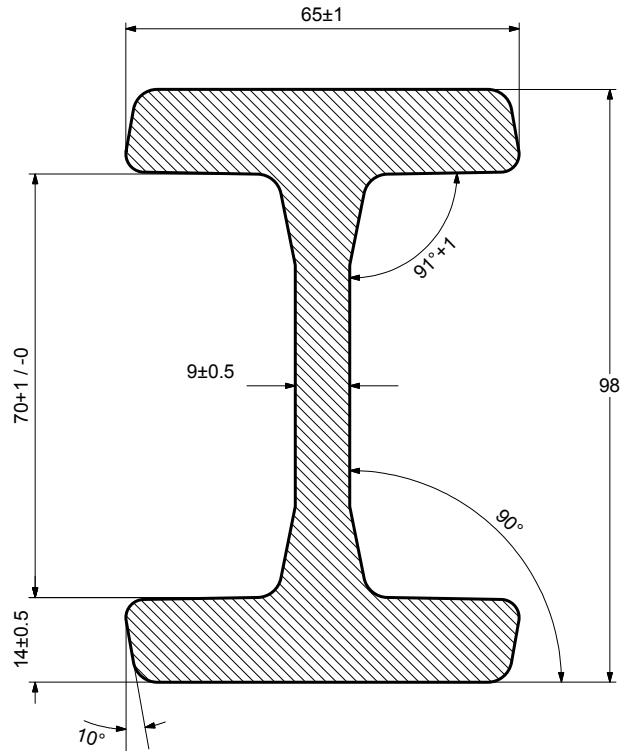


STANDARD CHANNEL

3018



Profile Reference	Web Height mm	Flange Width mm	Channel Height mm	Weight kg / metre	Bearing Reference	Plate Reference	Section Shape
3018	98	65	70	19.4	4.055	PLATE 1	I Section

PROFILE REFERENCE: **3018**

Weight: 19.4kg per metre

Moment of Area (Wx): 70.2cm³

Material: S450J2

Use with our:

4.055 Standard Combined Roller Bearing

4.455 Eccentric Adjustable CR Bearing