

# EURO-BEARINGS LTD



## TOLERANCE RINGS

**[www.euro-bearings.com](http://www.euro-bearings.com)**

Tel. 01908 511733 Fax. 01908 511713

# TOLERANCE RINGS

Short lead times & small minimum order quantities. Can also be made to your requirements.

## **What is a tolerance ring?**

It is a corrugated metal strip that acts as an interface between two mechanical objects, to secure one to the other by interference fit.

## **What are tolerance rings made from?**

Spring Steel Strip or Stainless Steel Strip - the majority from Stainless.

## **How do I specify the tolerance ring I need?**

There are two basic types of ring & the simplest way to remember is this:

Type BN is used for holding a bearing/object onto a shaft

Type AN is used for holding a bearing/object into a housing.

Following this rule, you can easily select the ring you want for other jobs..... for example holding a knob onto a shaft use a BN type tolerance ring

## **What sort of torque can be transmitted - will they slip?**

See the data sheets for the dimensions of the mating parts and the torque transfer capability.

If the torque stated is exceeded the tolerance ring will slip - this can be a means of preventing damage.

The allowable torques are high.

## **What other advantages do tolerance rings have?**

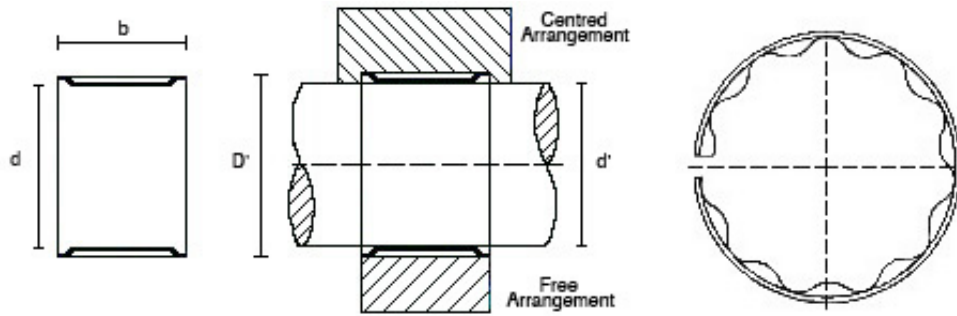
- rapid assembly lowers costs
- permit larger machining tolerances
- compensate for different rates of thermal expansion
- eliminate expensive features on parts (for example keyways, pins, screws etc)
- absorb vibrations
- resist corrosion
- overload protection

[www.euro-bearings.com](http://www.euro-bearings.com)

Tel. 01908 511733 Fax. 01908 511713

EURO-BEARINGS LTD

# AN TYPE



Other sizes are available. Please enquire.

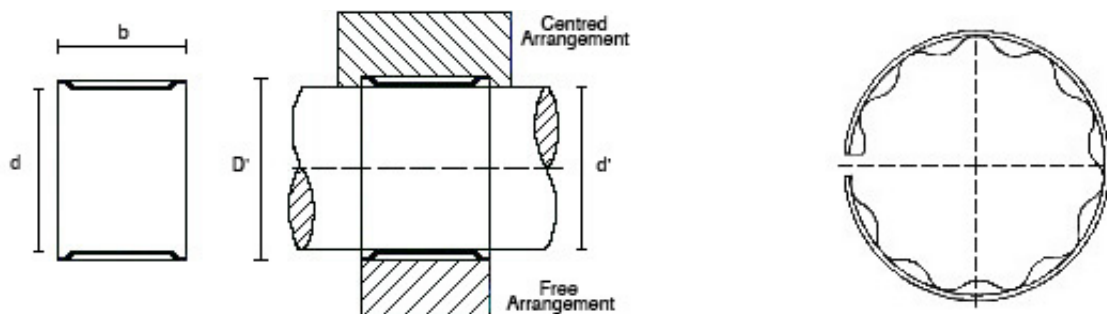
Tolerance Ring Reference	d (mm)	b (mm)	d' h9 (mm)	Housing Bore for Mounting Rolling Bearings D' (mm)	Housing Bore for Torque Transfer D' (mm)	Torque Capacity (Nm)	Permissible Radial Load P (N)
AN04-006	4	6	4	4.93 TO 4.95	4.82 TO 4.86	0.15	80
AN04-008	4	8	4	"	"	0.25	90
AN04-010	4	10	4	"	"	0.35	95
AN05-005	5	5	5	5.93 TO 5.95	5.82 TO 5.86	0.45	100
AN05-008	5	8	5	"	"	0.66	160
AN05-012	5	12	5	"	"	1.25	250
AN06-006	6	6	6	6.93 TO 6.985	6.82 TO 6.86	0.45	133
AN06-008	6	8	6	"	"	0.75	240
AN06-010	6	10	6	"	"	1.00	290
AN08-006	8	6	8	9.41 TO 9.48	9.23 TO 9.30	1.00	240
AN08-008	8	8	8	"	"	1.45	360
AN08-012	8	12	8	"	"	2.00	580
AN08-514	8	14	8	"	"	2.10	600
AN10-504	10	4	10	11.41 TO 11.48	11.23 TO 11.30	0.95	480
AN10-506	10	6	10	"	"	2.30	850
AN10-508	10	8	10	"	"	2.50	1020
AN10-010	10	10	10	"	"	3.00	1220
AN10-012	10	12	10	"	"	3.50	1650
AN10-014	10	14	10	"	"	4.00	2050
AN10-518	10	18	10	"	"	4.50	2500
AN12-504	12	4	12	13.41 TO 13.48	13.23 TO 13.30	1.60	720
AN12-506	12	6	12	"	"	3.00	1200
AN12-010	12	10	12	"	"	4.00	1825
AN12-012	12	12	12	"	"	6.00	2400
AN12-016	12	16	12	"	"	8.00	3025
AN12-018	12	18	12	"	"	9.00	3350
AN14-508	14	8	14	15.41 TO 15.48	15.23 TO 15.30	5.00	1800
AN14-512	14	12	14	"	"	7.00	2410
AN14-014	14	14	14	"	"	9.00	2750

[www.euro-bearings.com](http://www.euro-bearings.com)

Tel. 01908 511733 Fax. 01908 511713

EURO-BEARINGS LTD

# AN TYPE (cont'd)



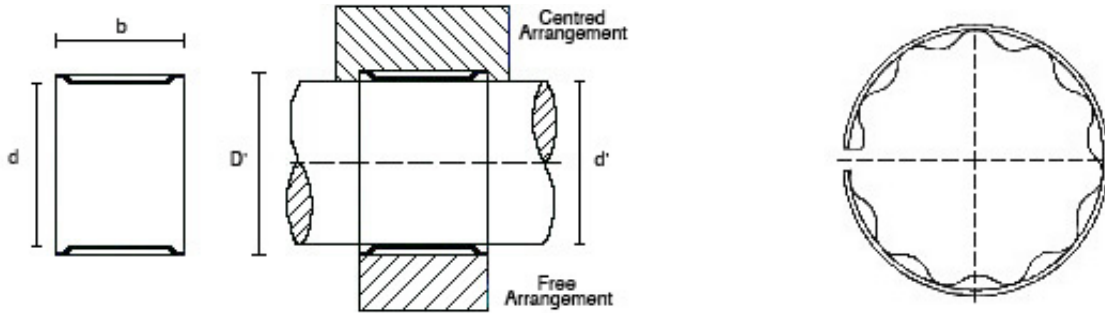
Tolerance Ring Reference	d (mm)	b (mm)	d' h9 (mm)	Housing Bore for Mounting Rolling Bearings D' (mm)	Housing Bore for Torque Transfer D' (mm)	Torque Capacity (Nm)	Permissible Radial Load P (N)
AN15-508	15	8	15	16.41 TO 16.48	16.23 TO 16.30	5.5	1825
AN15-512	15	12	15	"	"	7.5	2500
AN15-514	15	14	14	"	"	11	2975
AN15-522	15	22	15	"	"	14	3500
AN16-505	16	5	16	17.41 TO 17.48	17.23 TO 17.30	4	1100
AN16-508	16	8	16	17.41 TO 17.48	17.23 TO 17.30	7	1900
AN16-510	16	10	16	"	"	8	2275
AN16-512	16	12	16	"	"	9	2800
AN16-516	16	16	16	"	"	14	3650
AN16-522	16	22	16	"	"	17	4500
AN18-006	18	6	18	19.89 TO 19.98	16.67 TO 19.75	6.5	1300
AN18-010	18	10	18	"	"	11	2450
AN18-016	18	16	18	"	"	17	4100
AN19-506	19	6	19	20.89 TO 20.98	20.67 TO 20.75	7	1875
AN19-016	19	16	19	"	"	21	4450
AN20-012	20	12	20	21.89 TO 21.98	21.67 TO 21.75	18	3650
AN20-014	20	14	20	"	"	22	4300
AN20-016	20	16	20	"	"	24	4900
AN20-020	20	20	20	"	"	30	6100
AN20-526	20	26	20	"	"	34	7250
AN22-505	22	5	22	23.89 TO 23.98	23.67 TO 23.75	12	1650
AN22-507	22	7	22	"	"	16	2450
AN22-010	22	10	22	"	"	18	3525
AN22-016	22	16	22	"	"	30	5450
AN22-020	22	20	22	"	"	35	7000
AN22-022	22	22	22	"	"	38	8200
AN24-506	24	6	24	25.89 TO 25.98	25.67 TO 25.75	17	2320
AN24-507	24	7	24	"	"	18	2715
AN24-512	24	12	24	"	"	29	5550
AN24-016	24	16	24	"	"	32	7800
AN24-020	24	20	24	"	"	45	9000

EURO-BEARINGS LTD

[www.euro-bearings.com](http://www.euro-bearings.com)

Tel. 01908 511733 Fax. 01908 511713

# AN TYPE (cont'd)



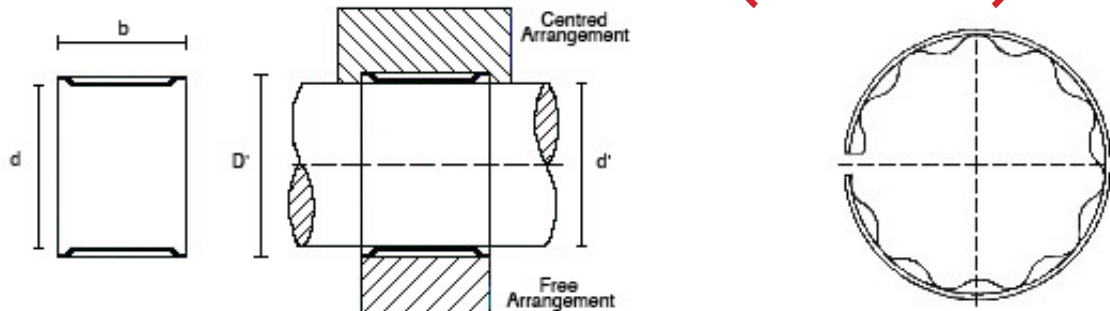
Tolerance Ring Reference	d (mm)	b (mm)	d' h9 (mm)	Housing Bore for Mounting Rolling Bearings D' (mm)	Housing Bore for Torque Transfer D' (mm)	Torque Capacity (Nm)	Permissible Radial Load P (N)
AN25-510	25	10	25	26.89 TO 26.98	26.67 TO 26.75	24	4300
AN25-516	25	16	25	"	"	35	7800
AN25-520	25	20	25	"	"	47	9000
AN26-508	26	8	26	27.89 TO 27.98	27.67 TO 27.75	21	3425
AN26-510	26	10	26	"	"	26	4500
AN26-512	26	12	26	27.89 TO 27.98	27.67 TO 27.75	31	5600
AN26-516	26	16	26	"	"	43	8250
AN26-520	26	20	26	"	"	52	9600
AN28-508	28	8	28	29.89 TO 29.98	29.67 TO 29.75	27	4000
AN28-510	28	10	28	"	"	30	4700
AN28-512	28	12	28	"	"	39	6250
AN28-520	28	20	28	"	"	55	9050
AN28-030	28	30	28	"	"	92	15250
AN30-508	30	8	30	31.89 TO 31.98	31.67 TO 31.725	28	4100
AN30-512	30	12	30	"	"	40	5700
AN30-516	30	16	30	"	"	50	8065
AN30-030	30	30	30	"	"	95	15500
AN32-508	32	8	32	33.89 TO 33.98	33.67 TO 33.75	30	3000
AN32-510	32	10	32	"	"	35	3200
AN32-514	32	14	32	"	"	50	4200
AN35-510	35	10	35	36.89 TO 36.98	36.67 TO 36.75	43	3350
AN35-514	35	14	35	"	"	58	5000
AN35-516	35	16	35	"	"	70	8200
AN40-510	40	10	40	41.89 TO 41.98	41.67 TO 41.75	62	3300
AN40-512	40	12	40	"	"	72	4450
AN40-516	40	16	40	"	"	91	6230
AN40-520	40	20	40	"	"	125	8450
AN40-530	40	30	40	"	"	180	12000
AN42-512	42	12	42	43.89 TO 43.98	43.67 TO 43.75	75	4900
AN42-530	42	30	42	"	"	225	13250
AN45-512	45	12	45	46.89 TO 46.98	46.67 TO 46.75	90	6000

EURO-BEARINGS LTD

[www.euro-bearings.com](http://www.euro-bearings.com)

Tel. 01908 511733 Fax. 01908 511713

# AN TYPE (cont'd)



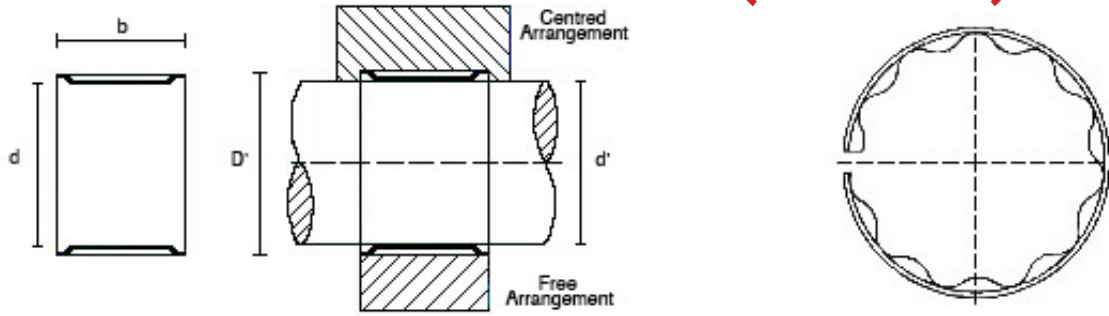
Tolerance Ring Reference	d (mm)	b (mm)	d' h9 (mm)	Housing Bore for Mounting Rolling Bearings D' (mm)	Housing Bore for Torque Transfer D' (mm)	Torque Capacity (Nm)	Permissible Radial Load P (N)
AN45-520	45	20	45	46.89 TO 46.98	46.67 TO 46.75	165	8700
AN47-006	47	6	47	48.89 TO 48.98	48.67 TO 48.75	65	2450
AN47-508	47	8	47	"	"	76	2850
AN47-514	47	14	47	"	"	117	6230
AN47-518	47	18	47	"	"	175	8300
AN47-520	47	20	47	"	"	210	8450
AN47-522	47	22	47	48.89 TO 48.98	48.67 TO 48.75	235	10750
AN50-515	50	15	50	52.35 TO 52.47	52.03 TO 52.15	157	6600
AN50-520	50	20	50	"	"	215	10100
AN52-508	52	8	52	54.35 TO 54.47	54.03 TO 54.15	100	3200
AN52-515	52	15	52	"	"	165	7120
AN52-520	52	20	52	"	"	225	10300
AN55-512	55	12	55	57.35 TO 57.47	57.03 TO 57.15	156	5550
AN55-520	55	20	55	"	"	260	10750
AN60-515	60	15	60	62.35 TO 62.47	62.03 TO 62.15	280	8800
AN60-525	60	25	60	"	"	475	15500
AN62-510	62	10	62	64.35 TO 64.47	64.03 TO 64.15	215	5300
AN62-515	62	15	62	"	"	290	8450
AN62-520	62	20	62	"	"	405	12000
AN65-525	65	25	65	67.35 TO 67.47	67.03 TO 67.15	520	14900
AN70-525	70	25	70	72.35 TO 72.47	72.03 TO 72.15	550	16900
AN72-510	72	10	72	74.35 TO 74.47	74.03 TO 74.15	230	6000
AN72-517	72	17	72	"	"	420	13000
AN72-519	72	19	72	"	"	470	14500
AN72-520	72	20	72	"	"	490	15000
AN75-516	75	16	75	77.35 TO 77.47	77.03 TO 77.15	520	13000
AN75-520	75	20	75	"	"	600	15000
AN80-012	80	12	80	82.35 TO 82.47	82.03 TO 82.15	280	11000
AN80-520	80	20	80	"	"	630	16800
AN84-512	80	12	80	86.82 TO 86.96	86.42 TO 86.56	490	13000
AN85-019	85	19	85	87.82 TO 87.96	87.42 TO 87.56	700	17000
AN90-515	90	15	90	92.82 TO 92.96	92.42 TO 92.56	560	14000
AN90-020	90	20	90	"	"	770	18000

[www.euro-bearings.com](http://www.euro-bearings.com)

Tel. 01908 511733 Fax. 01908 511713

EURO-BEARINGS LTD

# AN TYPE (cont'd)



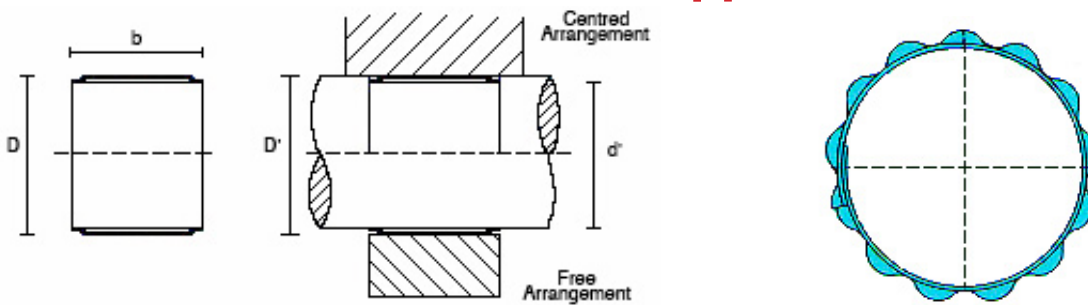
Tolerance Ring Reference	d (mm)	b (mm)	d' h9 (mm)	Housing Bore for Mounting Rolling Bearings D' (mm)	Housing Bore for Torque Transfer D' (mm)	Torque Capacity (Nm)	Permissible Radial Load P (N)
AN90-023	90	23	90	92.82 TO 92.96	92.42 TO 92.56	870	21000
AN90-525	90	25	90	"	"	950	22500
AN100-520	100	20	100	102.82 TO 102.96	102.42 TO 102.56	1150	23500
AN100-525	100	25	100	"	"	1300	25000
AN107-512	107	12	107	109.82 TO 109.96	109.42 TO 109.56	1400	26500
AN110-525	110	25	110	112.82 TO 112.96	112.42 TO 112.56	1650	30000
AN115-512	115	12	115	117.82 TO 117.96	117.42 TO 117.56	1450	26500
AN125-515	125	15	125	128.80 TO 128.96	128.42 TO 128.48	1550	26500
AN130-025	130	25	130	133.80 TO 133.96	133.32 TO 133.48	1600	27000
AN132-512	132	12	132	135.80 TO 135.96	135.32 TO 135.48	1500	26500
AN140-024	140	24	140	143.80 TO 143.96	143.32 TO 143.48	1800	32000
AN150-516	150	16	150	153.80 TO 153.96	153.32 TO 153.48	2400	36000

EURO-BEARINGS LTD

[www.euro-bearings.com](http://www.euro-bearings.com)

Tel. 01908 511733 Fax. 01908 511713

# BN type



Tolerance Ring Reference	D (mm)	b (mm)	D' H9 (Bore) (mm)	Shaft for Mounting Rolling Bearings d' (mm)	Shaft for Torque Transfer d' (mm)	Torque Capacity (Nm)	Permissible Radial Load P (N)
BN05-005	5	5	5	4.01 TO 4.06	4.14 TO 4.18	0.17	180
BN05-008	5	8	5	"	"	0.35	260
BN05-010	5	10	5	"	"	0.50	310
BN06-006	6	6	6	5.01 TO 5.06	5.14 TO 5.18	0.33	380
BN06-008	6	8	6	"	"	0.45	575
BN06-010	6	10	6	"	"	0.90	690
BN06-012	6	12	6	"	"	1.25	940
BN08-005	8	5	8	6.51 TO 6.57	6.65 TO 6.71	0.45	550
BN08-007	8	7	8	"	"	0.68	780
BN08-008	8	8	8	"	"	0.80	910
BN08-010	8	10	8	"	"	1.00	1125
BN08-514	8	14	8	"	"	1.30	1400
BN09-008	9	8	9	7.51 TO 7.57	7.65 TO 7.71	0.85	1070
BN10-006	10	6	10	8.51 TO 8.57	8.65 TO 8.71	1.80	950
BN10-010	10	10	10	"	"	3.00	1275
BN10-012	10	12	10	"	"	3.60	1650
BN10-514	10	14	10	"	"	3.90	2000
BN10-016	10	16	10	"	"	4.50	2100
BN11-010	11	10	11	"	"	4.00	1400
BN11-014	11	14	11	"	"	5.50	1680
BN12-506	12	6	12	10.52 TO 10.59	10.70 TO 10.77	2.20	1075
BN12-508	12	8	12	"	"	3.20	1300
BN12-510	12	10	12	"	"	4.50	1560
BN12-512	12	12	12	"	"	5.30	2100
BN12-014	12	14	12	"	"	6.10	2400
BN12-018	12	18	12	"	"	7.90	3075
BN13-508	13	8	13	11.52 TO 11.59	11.70 TO 11.77	4.00	1650
BN13-510	13	10	13	"	"	4.75	1800
BN13-512	13	12	13	"	"	5.60	2300
BN13-515	13	15	13	"	"	7.20	3000
BN14-508	14	8	14	12.52 TO 12.59	12.70 TO 12.77	4.20	1825
BN14-510	14	10	14	"	"	4.90	2000

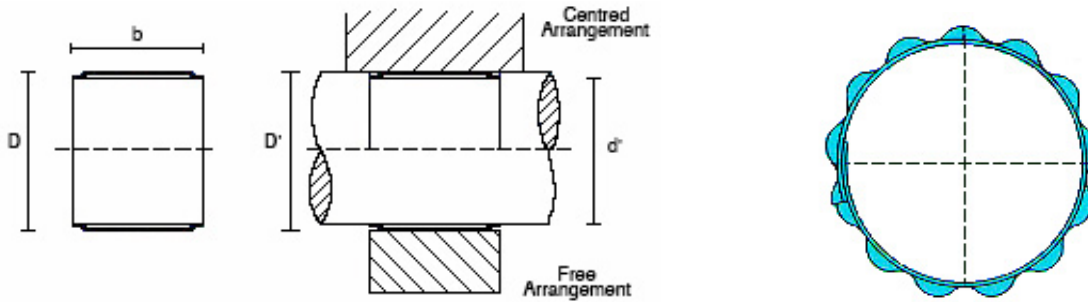
[www.euro-bearings.com](http://www.euro-bearings.com)

Tel. 01908 511733 Fax. 01908 511713

EURO-BEARINGS LTD



# BN type (cont'd)



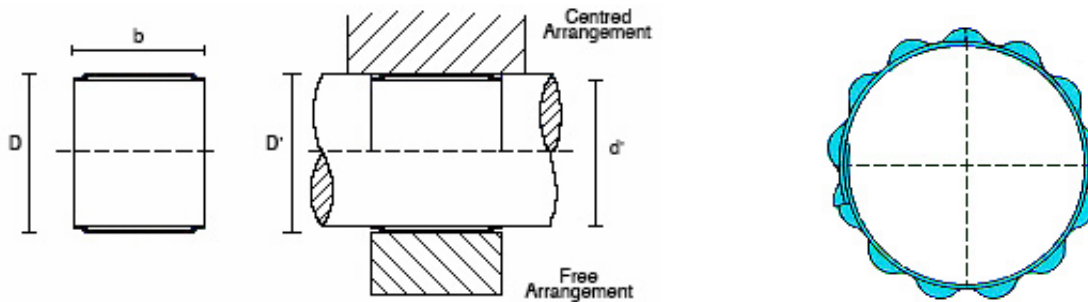
Tolerance Ring Reference	D (mm)	b (mm)	D' H9 (Bore) (mm)	Shaft for Mounting Rolling Bearings d' (mm)	Shaft for Torque Transfer d' (mm)	Torque Capacity (Nm)	Permissible Radial Load P (N)
BN14-514	14	14	14	12.52 TO 12.59	12.70 TO 12.77	5.60	3300
BN14-520	14	20	14	"	"	8.00	4000
BN15-506	15	6	15	13.52 TO 13.59	13.70 TO 13.77	3.70	1200
BN15-508	15	8	15	"	"	3.90	1600
BN15-510	15	10	15	"	"	4.80	2025
BN15-512	15	12	15	"	"	6.80	2650
BN15-514	15	14	15	"	"	8.9	2950
BN15-516	15	16	15	"	"	11	3400
BN15-019	15	19	15	"	"	12.5	3900
BN16-510	16	10	16	14.52 TO 14.59	14.70 TO 14.77	7	2600
BN16-514	16	14	16	"	"	10.5	3100
BN16-516	16	16	16	"	"	12	3500
BN17-506	17	6	17	15.52 TO 15.59	15.70 TO 15.77	3.9	1500
BN17-508	17	8	17	"	"	4.8	1800
BN17-510	17	10	17	"	"	8	2650
BN17-512	17	12	17	"	"	10	2800
BN17-514	17	14	17	"	"	12	3200
BN17-516	17	16	17	"	"	14	3650
BN18-510	18	10	18	16.52 TO 16.59	16.70 TO 16.77	9	2650
BN18-516	18	16	18	"	"	15	3900
BN18-522	18	22	18	"	"	21	5600
BN19-510	19	10	19	17.52 TO 17.59	17.70 TO 17.77	10	2800
BN19-519	19	19	19	"	"	19	4900
BN19-522	19	22	19	"	"	22	6000
BN20-506	20	6	20	18.02 TO 18.11	18.25 TO 18.33	7	1600
BN20-507	20	7	20	"	"	8	1800
BN20-508	20	8	20	"	"	9	2200
BN20-510	20	10	20	"	"	12	2900
BN20-512	20	12	20	"	"	15	3750
BN20-514	20	14	20	"	"	18	4600
BN20-515	20	15	20	"	"	19	5200

[www.euro-bearings.com](http://www.euro-bearings.com)

Tel. 01908 511733 Fax. 01908 511713

EURO-BEARINGS LTD

# BN type (cont'd)



Tolerance Ring Reference	D (mm)	b (mm)	D' H9 (Bore) (mm)	Shaft for Mounting Rolling Bearings d' (mm)	Shaft for Torque Transfer d' (mm)	Torque Capacity (Nm)	Permissible Radial Load P (N)
BN20-518	20	18	20	"	"	23	5900
BN20-520	20	20	20	18.02 TO 18.11	18.25 TO 18.33	25	6850
BN20-522	20	22	20	"	"	28	7700
BN22-512	22	12	22	20.02 TO 20.11	20.25 TO 20.33	18	4450
BN22-515	22	15	22	"	"	26	5550
BN22-522	22	22	22	"	"	33	8250
BN24-515	24	15	24	22.02 TO 22.11	22.25 TO 22.33	30	5950
BN24-522	24	22	24	"	"	40	9000
BN24-524	24	24	24	"	"	48	10200
BN25-508	25	8	25	23.02 TO 23.11	23.25 TO 23.33	15	3000
BN25-510	25	10	25	"	"	20.08-0	3850
BN25-512	25	12	25	"	"	22	4900
BN25-515	25	15	25	"	"	28	6450
BN25-518	25	18	25	"	"	38	7200
BN25-520	25	20	25	"	"	41	7575
BN25-521	25	21	25	"	"	34	7700
BN25-525	25	25	25	"	"	53	10600
BN28-512	28	12	28	26.02 TO 26.11	26.25 TO 26.33	30	5750
BN28-520	28	20	28	"	"	53	10600
BN28-522	28	22	28	"	"	60	11300
BN28-525	28	25	28	"	"	71	12000
BN30-508	30	8	30	28.02 TO 28.11	28.25 TO 28.33	25	2800
BN30-510	30	10	30	"	"	29	4200
BN30-512	30	12	30	"	"	35	5400
BN30-515	30	15	30	"	"	47	7000
BN30-520	30	20	30	"	"	60	10200
BN30-523	30	23	30	"	"	70	12200
BN30-530	30	30	30	"	"	95	16600
BN32-512	32	12	32	30.02 TO 30.11	30.25 TO 30.33	44	5800
BN32-516	32	16	32	"	"	56	8400
BN32-530	32	30	32	"	"	110	17000

[www.euro-bearings.com](http://www.euro-bearings.com)

Tel. 01908 511733 Fax. 01908 511713

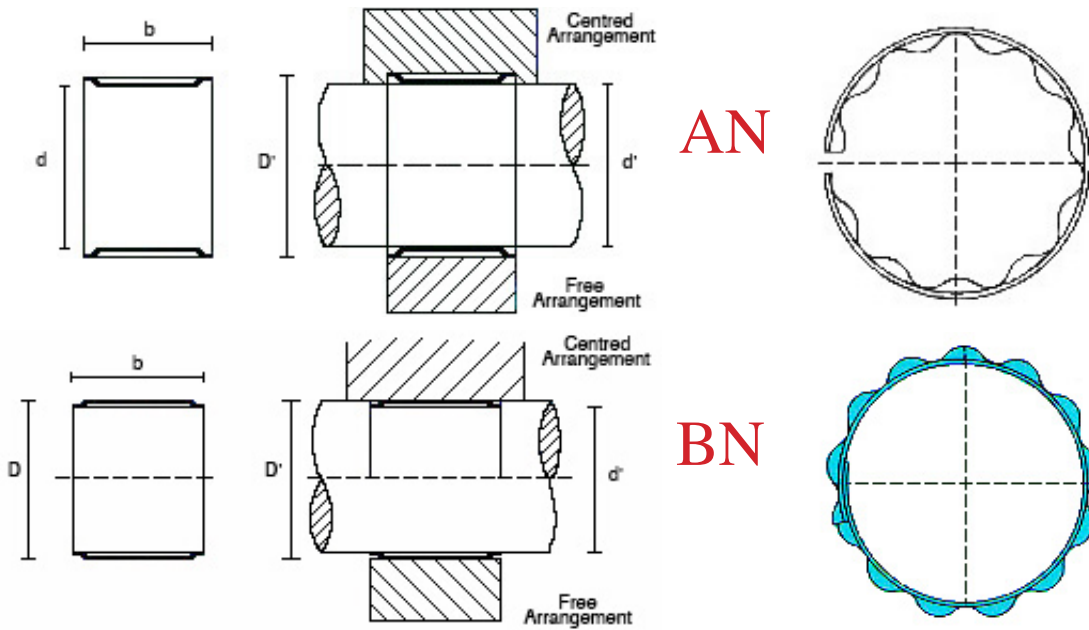
EURO-BEARINGS LTD

# BN type (cont'd)

Tolerance Ring Reference	D (mm)	b (mm)	D' H9 (Bore) (mm)	Shaft for Mounting Rolling Bearings d' (mm)	Shaft for Torque Transfer d' (mm)	Torque Capacity (Nm)	Permissible Radial Load P (N)
BN35-510	35	10	35	33.03 TO 33.13	33.30 TO 33.40	40	4000
BN35-512	35	12	35	"	"	48	4600
BN35-515	35	15	35	"	"	60	4950
BN35-525	35	25	35	"	"	110	8650
BN35-530	35	30	35	"	"	130	9800
BN36-512	36	12	36	34.03 TO 34.13	34.30 TO 34.40	55	4800
BN36-515	36	15	36	"	"	63	5100
BN36-530	36	30	36	"	"	135	10300
BN40-510	40	10	40	38.03 TO 38.13	38.30 TO 38.40	55	3800
BN40-512	40	12	40	"	"	63	4500
BN40-515	40	15	40	"	"	83	5400
BN40-023	40	23	40	"	"	104	8500
BN40-530	40	30	40	"	"	180	12000
BN45-510	45	10	45	43.03 TO 43.13	43.30 TO 43.40	68	4250
BN45-515	45	15	45	"	"	102	6230
BN45-520	45	20	45	"	"	145	9400
BN45-023	45	23	45	"	"	160	10100
BN45-525	45	25	45	"	"	200	11000
BN45-530	45	30	45	"	"	230	13950
BN50-512	50	12	50	48.03 TO 48.13	48.30 TO 48.40	107	5750
BN50-516	50	16	50	"	"	141	7565
BN50-520	50	20	50	"	"	186	9575
BN50-530	50	30	50	"	"	310	13400
BN50-040	50	40	50	"	"	350	18000
BN55-510	55	10	55	52.53 TO 52.65	52.85 TO 52.97	125	4900
BN55-514	55	14	55	"	"	175	6750
BN55-515	55	15	55	"	"	185	6800
BN55-529	55	29	55	"	"	330	12500
BN60-520	60	20	60	57.53 TO 57.65	57.85 TO 57.97	310	12000
BN60-522	60	22	60	"	"	350	13200
BN60-528	60	28	60	"	"	420	18400
BN65-520	65	20	65	62.53 TO 62.65	62.85 TO 62.97	480	14800
BN65-533	65	33	65	"	"	650	21000
BN80-512	80	12	80	77.53 TO 77.65	77.85 TO 77.97	550	15000
BN80-517	80	17	80	"	"	700	16500
BN85-522	85	22	85	82.04 TO 82.18	82.44 TO 82.58	800	19000
BN90-524	90	24	90	87.04 TO 87.18	87.44 TO 87.58	850	22000
BN90-030	90	30	90	"	"	1100	27000
BN100-024	100	24	100	97.04 TO 97.18	97.44 TO 97.58	1350	28000
BN100-036	100	36	100	"	"	1900	36000
BN140-515	140	15	140	136.04 TO 136.20	136.52 TO 136.68	1200	25500
BN140-522	140	22	140	"	"	1250	26000

EURO-BEARINGS LTD

# Tolerance Ring by Bearing



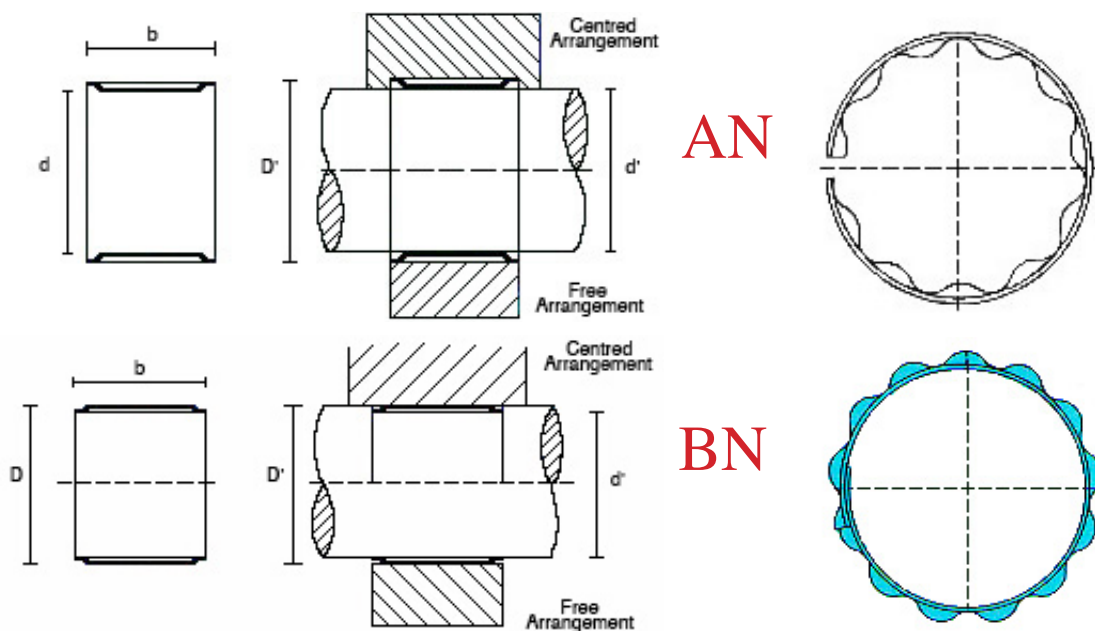
Bearing Ref *	Bearing Dimensions ID x OD x Width	Tolerance Ring for Inner	Shaft Diameter d'	Groove "b" width to C13 tol	Tolerance Ring for Outer	Bore Diameter D'	Groove b' width to C13 tol
6000	10x26x8	BN10-505	8.51 to 8.57	5	AN26-508	27.89 to 27.98	8
6200	10x30x9	BN10-505	"	"	AN30-508	31.89 to 31.98	8
6300	10x35x11	BN10-505	"	"	AN35-510	36.89 to 36.98	10
6001	12x28x8	BN12-506	10.52 to 10.59	6	AN28-508	29.89 to 29.98	8
6201	12x32x8	BN12-506	"	"	AN32-510	33.89 to 33.98	10
6002	15x32x8	BN15-506	13.52 to 13.59	6	AN32-508	"	8
6202	15x35x11	"	"	"	AN35-510	36.89 to 36.98	10
6302	15x42x13	"	"	"	AN42-512	43.89 to 43.98	12
6003	17x35x10	BN17.506	15.52 to 15.59	"	AN35-510	36.89 to 36.98	10
6203	17x40x12	"	"	"	AN40-512	41.89 to 41.98	12
6303	17x47x14	BN17-508	"	8	AN47-514	48.89 to 48.98	14
6004	20x42x12	BN20-506	18.02 to 18.11	6	AN42-512	43.89 to 43.98	12
6204	20x47x14	BN20-508	"	8	AN47-514	48.89 to 48.98	14
6304	20x52x15	"	"	"	AN52-515	54.35 to 54.47	15
6005	25x47x12	BN25-508	23.02 to 23.11	"	AN47-508	48.89 to 48.98	8
6205	25x52x15	BN25-510	"	10	AN52-515	54.35 to 54.47	15
6305	25x62x17	BN25-512	"	12	AN62-515	64.35 to 64.47	15

EURO-BEARINGS LTD

[www.euro-bearings.com](http://www.euro-bearings.com)

Tel. 01908 511733 Fax. 01908 511713

# Tolerance Ring by Bearing (cont'd)



Bearing Ref *	Bearing Dimensions ID x OD x Width	Tolerance Ring for Inner	Shaft Diameter d'	Groove "b" width to C13 tol	Tolerance Ring for Outer	Bore Diameter D'	Groove b' width to C13 tol
6006	30x55x13	BN30-508	28.02 to 28.11	8	AN55-512	57.35 to 57.47	12
6206	30x62x16	BN30-510	"	10	AN62-515	64.35 to 64.47	15
6306	30x72x19	BN30-512	"	12	AN72-519	74.35 to 74.47	19
6007	35x62x14	BN35-508	33.03 to 33.13	8	AN62-510	64.35 to 64.47	10
6207	35x72x17	BN35-510	"	10	AN72-517	74.35 to 74.47	17
6307	35x80x21	BN35-512	"	12	AN80-521	82.35 to 82.47	21
6008	40x68x15	BN40-510	38.01 to 38.13	10	AN68-515	70.35 to 70.47	15
6208	40x80x18	BN40-512	"	12	AN80-018	82.35 to 82.47	18
6308	40x90x23	BN40-515	"	15	AN90-023	92.82 to 92.96	23
6009	45x75x16	BN45-510	43.03 to 43.13	10	AN75-516	77.35 to 77.47	16
6209	45x85x19	"	"	"	AN85-019	87.82 to 87.96	19
6309	45x100x25	BN45-515	"	15	AN100-025	102.82 to 102.96	25
6010	50x80x16	BN50-512	48.03 to 48.13	12	AN80-016	82.35 to 82.47	16
6210	50x90x20	"	"	"	AN90-020	92.82 to 92.96	20
6310	50x110x27	BN50-516	"	16	AN110-027	112.82 to 112.96	27

[www.euro-bearings.com](http://www.euro-bearings.com)

Tel. 01908 511733 Fax. 01908 511713

EURO-BEARINGS LTD



Ball Transfer  
Units

Linear Bearings



**NEED TECHNICAL ADVICE?**

**CONTACT GERRY OR KATE**

**[sales@euro-bearings.com](mailto:sales@euro-bearings.com)**

**Tel. 01908 511733 Fax. 01908 511713**

**EURO-BEARINGS LTD**

**29-31 Lodge Farm Business Centre**

**Wolverton Road**

**Castlethorpe**

**Milton Keynes**

**MK19 7ES**

**[www.euro-bearings.com](http://www.euro-bearings.com)**