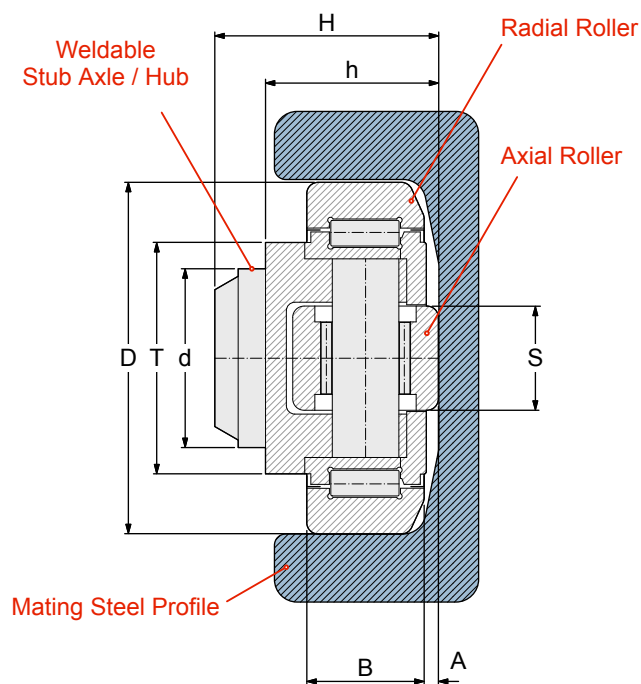


**STANDARD
CR BEARINGS**



Our standard Combined Roller bearing consists of a hub, a radial bearing and an axial roller

| BEARING REFERENCE | Dimensions (mm) | | | | | | | | | C kN | C ₀ kN | C _a kN | C _{0a} kN | I.D. of radial bearing | PROFILE REF | PLATE REF |
|-------------------|-----------------|-----|----|------|------|----|-----|----|---|---------|----------------------|----------------------|-----------------------|------------------------|--------------|-----------|
| | D | T | d | H | h | B | A | S | r | | | | | | | |
| 4.053 | 52.5 | 40 | 30 | 33 | 27 | 17 | 2 | 15 | 2 | 24 | 32 | 7 | 7 | 28 | EC053 | PL 00 |
| 4.054 | 62 | 42 | 30 | 37.5 | 30.5 | 20 | 2.5 | 20 | 3 | 31 | 35.5 | 11.1 | 11.5 | 38 | 2890 | PL 0 |
| 4.055 | 70.1 | 48 | 35 | 44 | 36 | 23 | 2.5 | 22 | 4 | 45.5 | 51 | 14 | 13 | 42 | 2867 or 3018 | PL 1 |
| 4.056 | 77.7 | 54 | 40 | 48 | 36.5 | 23 | 3 | 24 | 4 | 48 | 56.8 | 18 | 18 | 46 | 2810 | PL 2 |
| 4.057 | 77.7 | 53 | 40 | 40 | 29 | 23 | 3 | 24 | 4 | 48 | 56.8 | 18 | 18 | 46 | 3019 | |
| 4.058 | 88.4 | 59 | 45 | 57 | 44 | 30 | 3.5 | 26 | 3 | 68 | 72 | 23 | 23 | 50 | 2811 or 3020 | PL 3 |
| 4.059 | 101.2 | 67 | 50 | 46 | 33 | 28 | 3 | 30 | 3 | 73 | 82 | 25 | 27 | 58 | 2912 | |
| 4.060 | 107.7 | 71 | 55 | 54 | 40 | 31 | 3 | 34 | 5 | 81 | 95 | 31 | 36 | 63 | 3100 | |
| 4.061 | 107.7 | 71 | 60 | 69 | 55 | 31 | 3 | 34 | 5 | 81 | 95 | 31 | 36 | 63 | 2862 | PL 4 |
| 4.062 | 123 | 80 | 60 | 72.3 | 56 | 37 | 5 | 40 | 5 | 110 | 132 | 43 | 50 | 71 | 2891 or 3353 | PL 4 |
| 4.063 | 149 | 103 | 60 | 78.5 | 58.5 | 45 | 5.5 | 50 | 3 | 151 | 192 | 68 | 71 | 90 | 2757 | PL 6 |

C = Dynamic Load Capacity for radial roller
 C₀ = Static Load Capacity for radial roller
 C_a = Dynamic Load Capacity for axial (side) roller
 C_{0a} = Static Load Capacity for axial roller

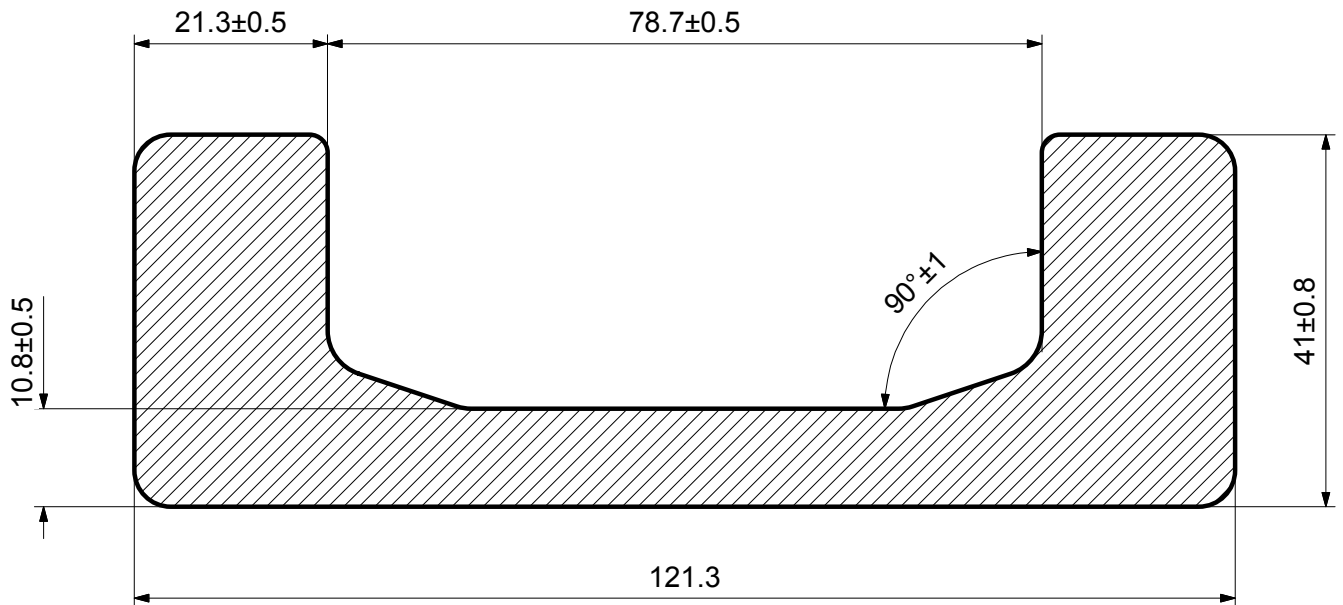
See page 36 for information on how to select the correct size of bearing and mating steel channel.

Notes
 4.053 and 4.054 bearings do not have grease holes.
 All bearings are pre-greased.

www.euro-bearings.com

STANDARD CHANNEL

2810



| Profile Reference | Web Height mm | Flange Width mm | Channel Height mm | Weight kg / metre | Bearing Reference | Plate Reference | Section Shape |
|-------------------|---------------|-----------------|-------------------|-------------------|-------------------|-----------------|---------------|
| 2810 | 121.3 | 41 | 78.7 | 20.9 | 4.056 | PLATE 2 | C Section |

PROFILE REFERENCE: **2810**

Weight: 20.9kg per metre

Moment of Area (Wx): 81.3cm³

Material: S450J2

Use with our:

4.056 Standard Combined Roller Bearing

4.456 Eccentric Adjustable CR Bearing

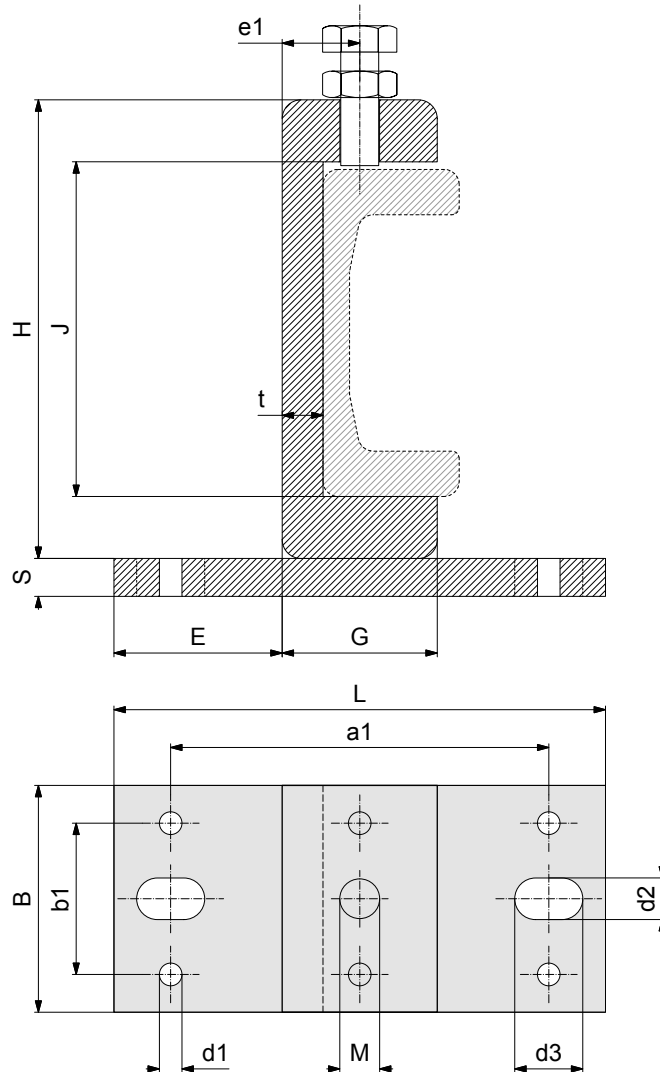
Other suitable bearings:

4.074 Shim Adjustable CR Bearing

2.2077 Radial Roller Bearing

MRS 907 Channel Ball Bearing

FLANGED CLAMPS FOR STANDARD CHANNEL



| CLAMP REFERENCE | FOR PROFILE REFERENCE | Dimensions (mm) | | | | | | | | | | | | | | Weight (kg) | |
|-----------------|-----------------------|-----------------|----|-----|----|-------|------|------|------|-----|----|----|----|----|------|-------------|------|
| | | H | B | L | S | J | E | G | t | a1 | b1 | d1 | d2 | d3 | e1 | M | |
| CF0 | 2890 | 121.3 | 60 | 130 | 10 | 88.5 | 44.5 | 41.0 | 10.8 | 100 | 40 | 6 | 11 | 18 | 20.5 | M10x30 | 1.62 |
| CF1 | 2867 | 135.4 | 60 | 130 | 10 | 105.0 | 38.5 | 53.0 | 12.7 | 100 | 40 | 6 | 11 | 18 | 26.5 | M10x30 | 1.95 |
| CF2 | 2810 | 157.2 | 80 | 160 | 15 | 123.0 | 49.5 | 61.2 | 14.0 | 130 | 60 | 6 | 13 | 18 | 30.6 | M12x35 | 3.70 |
| CF3 | 2811 | 175 | 80 | 160 | 15 | 137.5 | 46.9 | 66.2 | 16.2 | 130 | 60 | 6 | 13 | 18 | 33.1 | M12x35 | 4.20 |
| CF4 | 2862 | 201.5 | 80 | 160 | 15 | 159.0 | 44.4 | 71.2 | 19.4 | 130 | 60 | 6 | 13 | 18 | 35.6 | M12x35 | 5.05 |