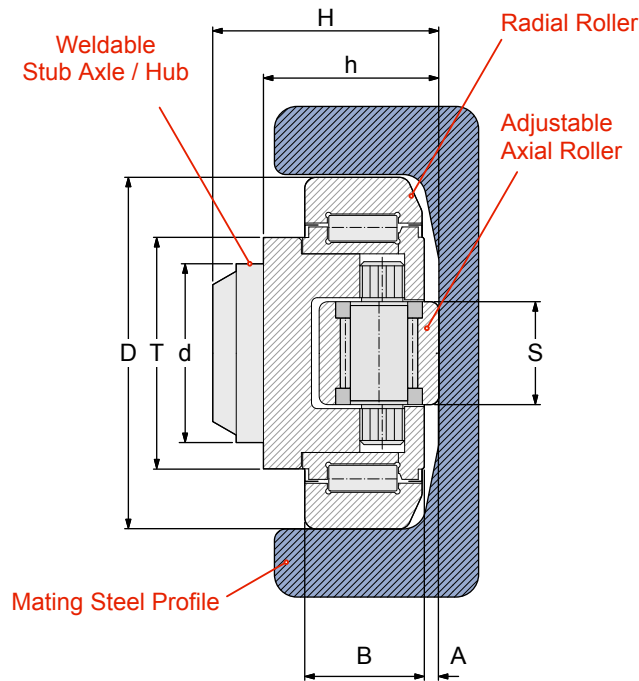


**ECCENTRIC ADJUSTABLE
CR BEARINGS**



Our adjustable Combined Roller bearings have the side (axial) roller mounted on an eccentric shaft which allows for adjustment of their height (dimension 'h' on the chart below).

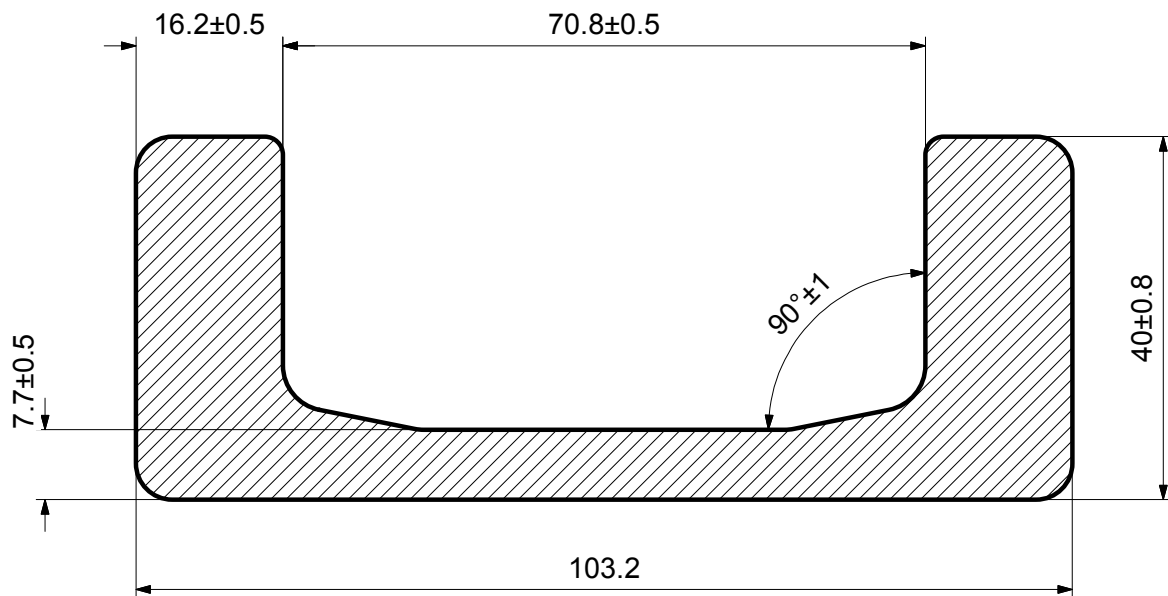
BEARING REFERENCE	Dimensions (mm)									C kN	C ₀ kN	C _a kN	C _{oa} kN	Maximum RPM	PROFILE REF	PLATE REF
	D	T	d	H	h	B	A	S	r							
4.454	62	42	30	37.5	30.5 - 32	20	4	20	3	31	35.5	11	11	900	2890	PL 0
4.455	70.1	48	35	44	36 - 37.5	23	4	20	4	45	51	18	18	900	2867	PL 1
4.456	77.7	54	40	48	37 - 38.5	23	3.5	26	4	48	56.8	18	18	800	2810	PL 2
4.457	77.7	54	40	40	29 - 30.5	23	3.5	26	4	48	56.8	18	18	800	3019	
4.458	88.4	59	45	57	44 - 45.5	30	4	26	4	68	72	23	23	750	2811	PL 3
4.459	101.2	69	50	46	33 - 35	26	4.5	30	3	73	82	25	27	700	2912	
4.460	107.7	69	55	54	40 - 42	31	4	30	5	81	95	25	27	650	3100	
4.461	107.7	69	60	69	55 - 57	31	4	30	5	81	95	25	27	650	2862	PL 4
4.462	123	80	60	72.3	56 - 60	37	4.5	34	5	110	132	31	36	550	2891	PL 4
4.463	149	103	60	78.5	58.5 - 62.5	45	6	34	3	151	192	31	36	450	2757	PL 6

C = Dynamic Load Capacity for radial roller
 C₀ = Static Load Capacity for radial roller
 C_a = Dynamic Load Capacity for axial (side) roller
 C_{oa} = Static Load Capacity for axial roller

For guidance on how to adjust the height of the face roller of our eccentric CR bearings please see page 34.

STANDARD CHANNEL

2867



Profile Reference	Web Height mm	Flange Width mm	Channel Height mm	Weight kg / metre	Bearing Reference	Plate Reference	Section Shape
2867	103.2	40	70.8	14.8	4.055	PLATE 1	C Section

PROFILE REFERENCE: **2867**

Weight: 14.8kg per metre

Moment of Area (Wx): 53.0cm³

Material: S450J2

Use with our:

4.055 Standard Combined Roller Bearing

4.455 Eccentric Adjustable CR Bearing

Other suitable bearings:

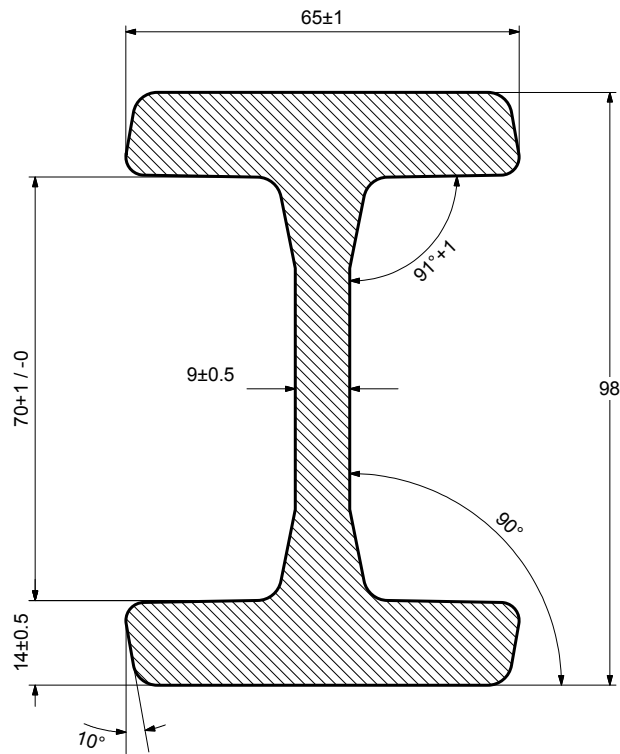
4.073 Shim Adjustable CR Bearing

2.2070 Radial Roller Bearing

MRS 901 Channel Ball Bearing

STANDARD CHANNEL

3018



Profile Reference	Web Height mm	Flange Width mm	Channel Height mm	Weight kg / metre	Bearing Reference	Plate Reference	Section Shape
3018	98	65	70	19.4	4.055	PLATE 1	I Section

PROFILE REFERENCE: **3018**

Weight: 19.4kg per metre

Moment of Area (Wx): 70.2cm³

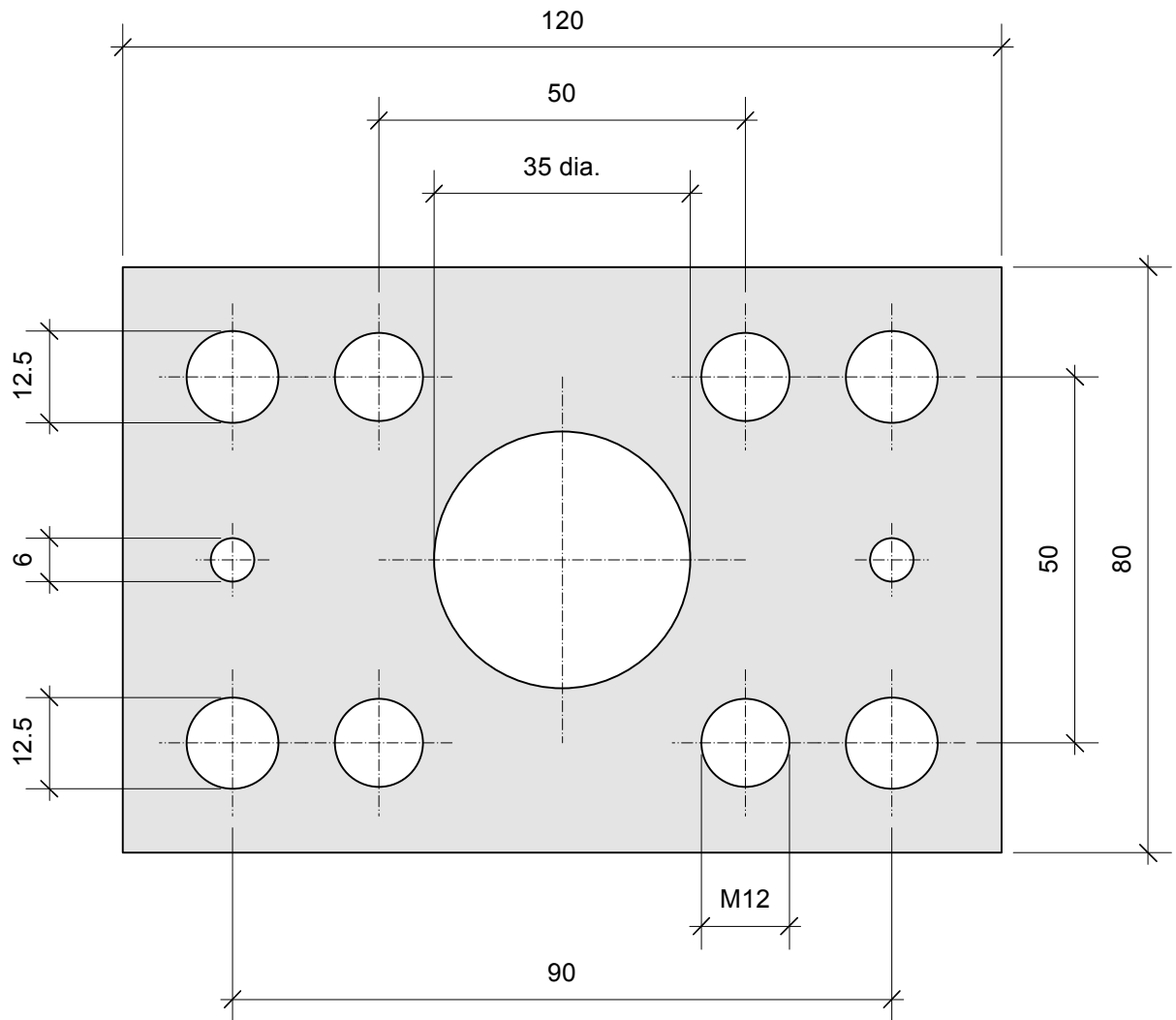
Material: S450J2

Use with our:

4.055 Standard Combined Roller Bearing

4.455 Eccentric Adjustable CR Bearing

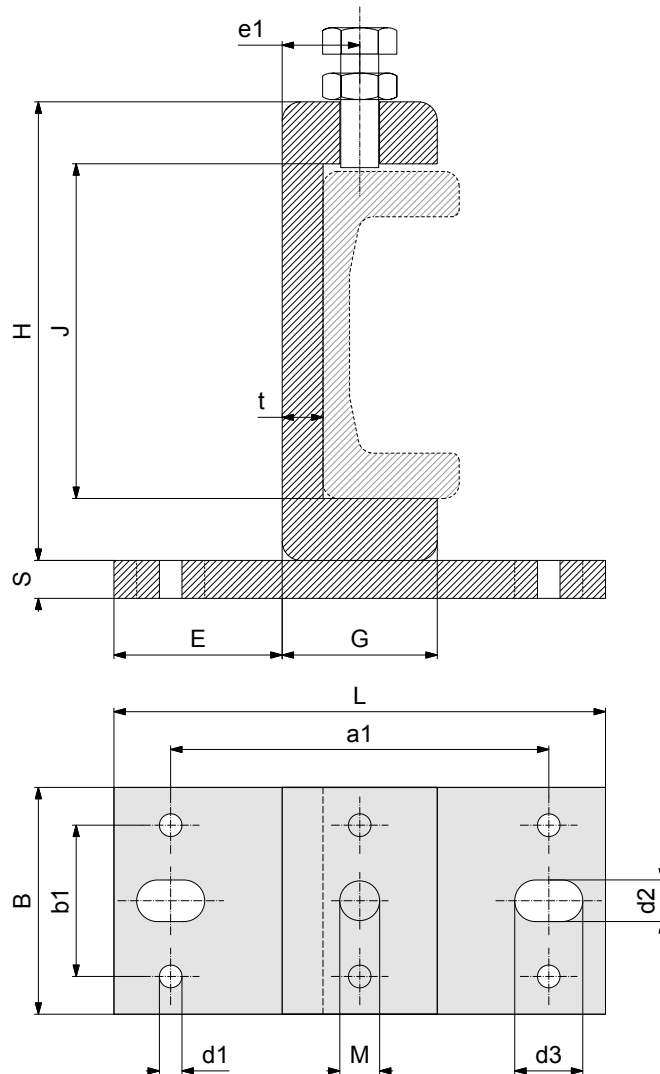
NOTE: THIS DRAWING IS NOT TO SCALE

MOUNTING PLATE**PL1****THICKNESS: 15mm**PLATE REFERENCE: **PL1**WELD TO BEARING: **4.055** or **4.455** or **4.073** or **2.2070**

USE WITH

STEEL CHANNEL: **2867**www.euro-bearings.com

FLANGED CLAMPS FOR STANDARD CHANNEL



CLAMP REFERENCE	FOR PROFILE REFERENCE	Dimensions (mm)														Weight (kg)	
		H	B	L	S	J	E	G	t	a1	b1	d1	d2	d3	e1	M	
CF0	2890	121.3	60	130	10	88.5	44.5	41.0	10.8	100	40	6	11	18	20.5	M10x30	1.62
CF1	2867	135.4	60	130	10	105.0	38.5	53.0	12.7	100	40	6	11	18	26.5	M10x30	1.95
CF2	2810	157.2	80	160	15	123.0	49.5	61.2	14.0	130	60	6	13	18	30.6	M12x35	3.70
CF3	2811	175	80	160	15	137.5	46.9	66.2	16.2	130	60	6	13	18	33.1	M12x35	4.20
CF4	2862	201.5	80	160	15	159.0	44.4	71.2	19.4	130	60	6	13	18	35.6	M12x35	5.05