

NOTE: THIS DRAWING IS NOT TO SCALE

MOUNTING PLATE

PL6

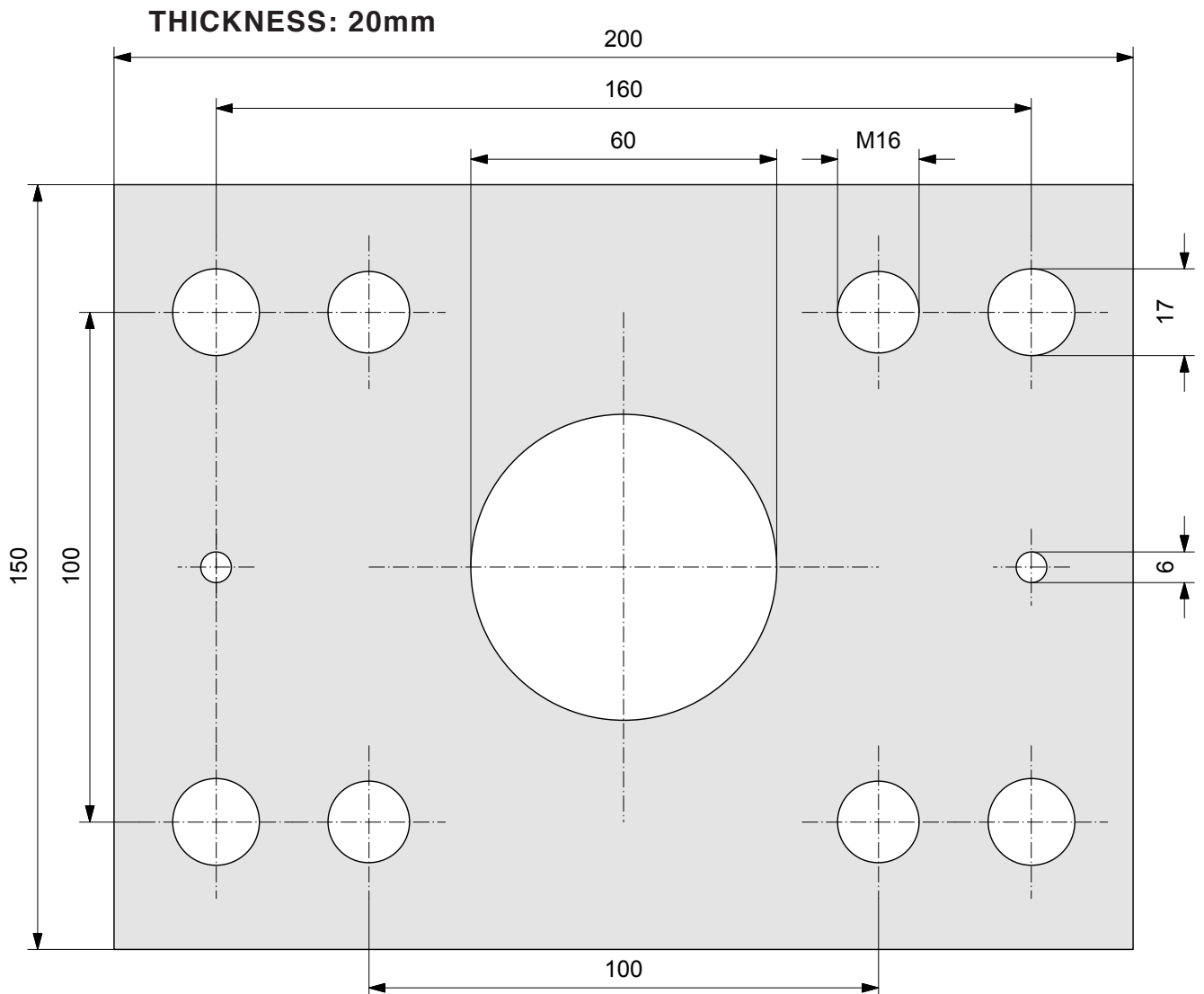


PLATE REFERENCE: **PL6**

WELD TO BEARING: **4.063** or **4.463** or **4.080** or **2.2149**

USE WITH

STEEL CHANNEL: **2757**