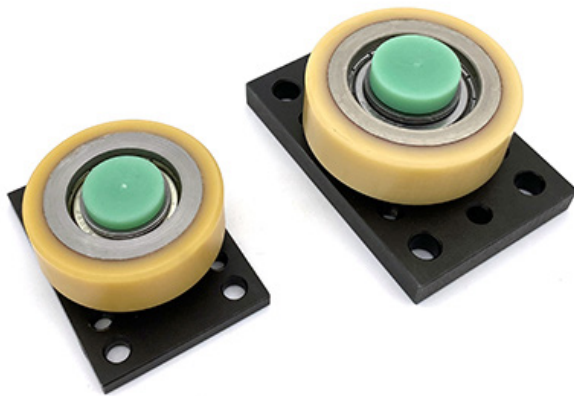


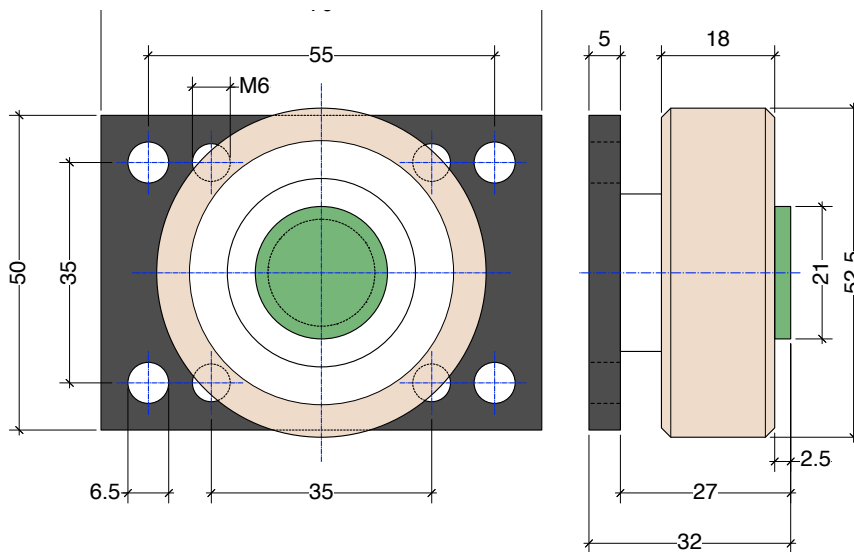
VULKOLLAN BEARINGS



The Vulkollan coated bearings are available in two sizes - 52.5mm \varnothing and 62.5mm \varnothing . They are designed to be used with the standard channels.

The complete assembly includes the bearing, the hub, an Oilamid rubbing block & the mounting plate. The Oilamid block helps the system run true and can be adjusted via a screw.

V.053+PLV53 - for use with EC053 rail



V.054+PLV54 - for use with 2890 rail

