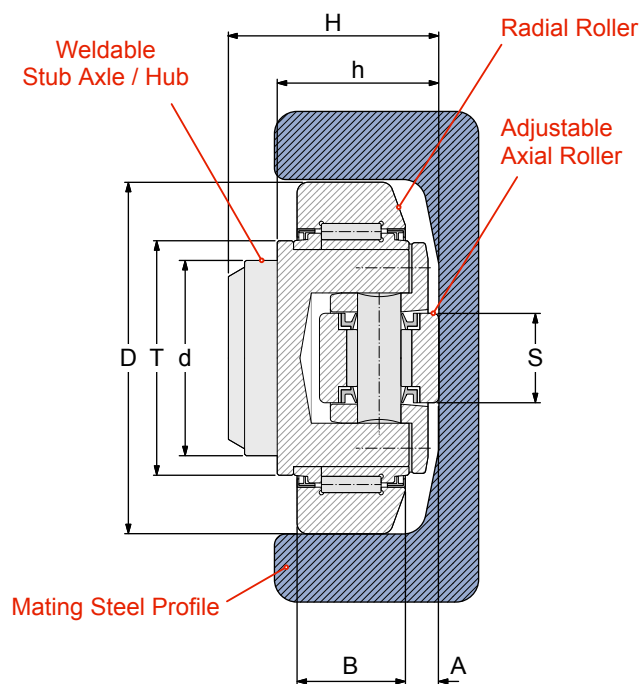


**SHIM ADJUSTABLE
CR BEARINGS**



These combined bearings are adjustable by introducing shims between the hub and the axial roller carrier. This enables the overall height of the bearing to be altered.

BEARING REFERENCE	Dimensions (mm)									C kN	C ₀ kN	C _a kN	C _{oa} kN	PROFILE REF	PLATE REF
	D	T	d	H	h	B	A	S	r						
4.072	62	42	30	43	33	20	5.5	16	3	31	35.5	8	8	2890	PL 0
4.073	70.1	48	35	48	40	23	6.5	16	4	45.5	51	14	14	2867	PL 1
4.074	77.7	54	40	51	39.5	23	7	21	4	48	56.8	14	14	2810	PL 2
4.075	77.7	54	40	45	34	23	7	21	4	48	56.8	14	14	3019	
4.076	88.4	59	45	61	48	30	7	21	4	68	72	15	15	2811	PL 3
4.077	101.2	67	50	50.5	37.5	28	7	21	5	73	83	18	19	2912	
4.078	107.7	71	55	58.5	44.5	31	8	33	5	81	95	31	36	3100	
4.079	123	80	60	75.8	59.5	37	8	33	5	110	132	31	36	2891	PL 4
4.080	149	103	60	89	69	45	15	50	3	151	192	68	71	2757	PL 6

C = Dynamic Load Capacity for radial roller
 C₀ = Static Load Capacity for radial roller
 C_a = Dynamic Load Capacity for axial (side) roller
 C_{oa} = Static Load Capacity for axial roller