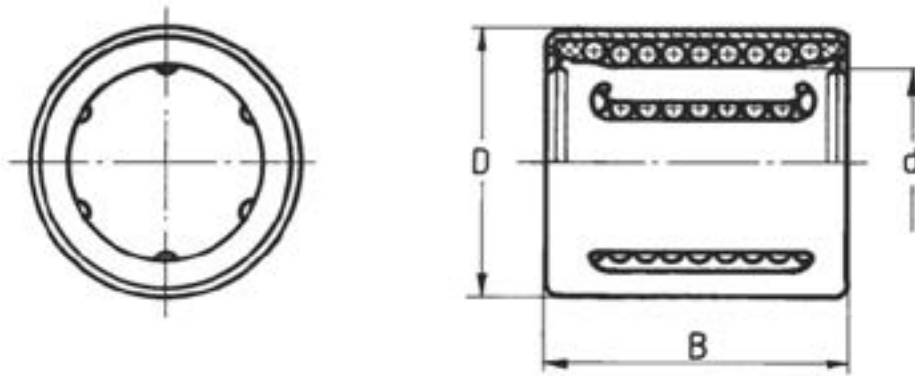


STAINLESS STEEL COMPACT BUSHINGS

These stainless steel compact ball bushings offer a fully re-circulating ball bushing in minimum space.

For housings to suit, see AG27- series. Use with hardened ground shaft and end support series WB58-

The bush is made from 1.4034 (DIN steel number) & the balls from 1.3541.



PART (Stainless Steel)	d	D	B	Ball Circuits	Load C (N)	Load C ₀ (N)	Weight (kg)
LBBRn206	6	12	22	4	400	240	0.007
LBBRn208	8	15	24	4	440	280	0.012
LBBRn210	10	17	26	4	500	370	0.015
LBBRn212	12	19	28	5	620	510	0.019
LBBRn214	14	21	28	5	710	530	0.021
LBBRn216	16	24	30	5	800	630	0.028
LBBRn220	20	28	30	6	950	800	0.033
LBBRn225	25	35	40	6	1990	1560	0.066
LBBRn230	30	40	50	7	2900	2700	0.095
LBBRn240	40	52	60	8	5100	4500	0.182
LBBRn250	50	62	70	9	6950	6300	0.252

Tel. 01908 511733

www.euro-bearings.com

EURO-BEARINGS LTD