

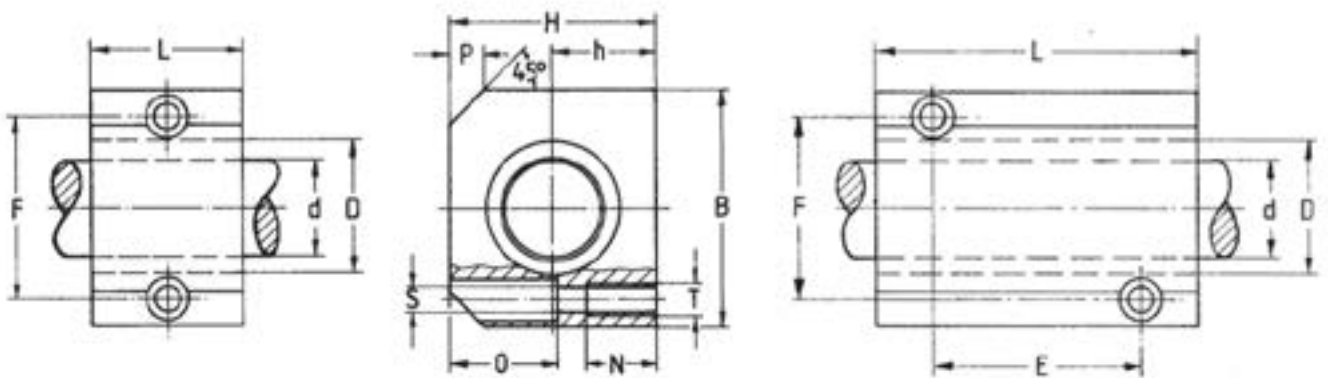
# COMPACT ALUMINIUM LINEAR HOUSINGS

These aluminium sets are equipped with compact ball bushings.

There are two types, single length (AG27) or tandem (double) length (AG85).

To order the sets with standard steel ball bushings use part numbers shown in the table below e.g. AG27-220

To order the sets with STAINLESS STEEL ball bushings modify the part number to read (for example) AG27-520 or AG85-520



PART	PART (Tandem)	d	B	H	h	L	D	E	F	S	T	N	O	P	Load C (N)	Load C <sub>0</sub> (N)	Weight (kg)
AG27-212		12	40	33	17	28	19		29	4.3	M5	11	17	5	480	385	0.08
	AG85-212	12	40	33	17	60	19	35	29	4.3	M5	11	17	5	770	770	0.17
AG27-216		16	45	38	19	30	24		34	4.3	M5	11	20	6	925	625	0.11
	AG85-216	16	45	38	19	65	24	40	34	4.3	M5	11	20	6	1480	1250	0.23
AG27-220		20	53	45	23	30	28		40	5.3	M6	13	23	7	1165	790	0.15
	AG85-220	20	53	45	23	65	28	45	40	5.3	M6	13	23	7	1870	1580	0.32
AG27-225		25	62	54	27	40	35		48	6.6	M8	18	28	9	2100	1370	0.27
	AG85-225	25	62	54	27	85	35	55	48	6.6	M8	18	28	9	3360	2740	0.56
AG27-230		30	67	60	30	50	40		53	6.6	M8	18	31	10	2870	2100	0.40
	AG85-230	30	67	60	30	105	40	70	53	6.6	M8	18	31	10	4590	4200	0.82
AG27-240		40	87	76	39	60	52		69	8.4	M10	22	38	12	5200	4100	0.75
	AG85-240	40	87	76	39	125	52	85	69	8.4	M10	22	38	12	8320	8200	1.58
AG27-250		50	103	92	47	70	62		82	10.5	M12	26	46	18	6620	5600	1.20

These aluminium sets are available as slotted type to allow adjustment of running clearance. To specify that type use prefix AG28 (only standard length type available in slotted version)